



# Bolt Kits and Elastomer Seals- Metric Index (pg 1)

<b>Bolt Kit Order Example</b> .....	R3
<b>Flare Flange</b>	
Union Style .....	R4
Flare 'O' Ring Face to Flat Face Component .....	R5
Flare Flat Face to 'O'Ring Face Retain Ring Component .....	R6
Flare 'O' Ring Face to Retain Ring Pipe .....	R7
Flare Flat Face to Retain Ring Pipe .....	R8
Flare Flat Face to Split Flange .....	R9
<b>Retain Ring Flange</b>	
Pipe Union .....	R10
Pipe to Flat Face Component .....	R11
'O' Ring Face Retain Ring Component to Flat Face Component .....	R12
Pipe to 'O' Ring Face Retain Ring Component .....	R13
Pipe to 'O' Ring Face Component .....	R14
'O' Ring Face Retain Ring Component to Split Flange .....	R15
Pipe to Split Flange .....	R16
Butt Weld Adapter to 'O' Ring Face Retain Ring Component .....	R17
Butt Weld Adapter Union .....	R18
Butt Weld Adapter to Flat Face Component .....	R19
Butt Weld Adapter to SAE Split Flange .....	R20
<b>Low Pressure Retain Ring Flange</b>	
Union Style .....	R21
Union Style with Pilot Tee .....	R22
Pipe to Retain Ring Component .....	R23
'O' Ring Face to Flat Face Component .....	R24
<b>Female Thread Flange</b>	
'O' Ring Face to Flat Face .....	R25
<b>Socket Weld Flange</b>	
'O' Ring Face to Flat Face .....	R26
<b>Butt Weld Flange</b>	
'O' Ring Face to Flat Face .....	R27
<b>Elastomer Seals</b>	
'O' Ring .....	R28
'D' Ring .....	R29
Bonded Seal .....	R29



# Bolt Kits and Elastomer Seals- Metric Index (pg 2)

<b>SAE Split Flange</b>	
Split Flange to Component . . . . .	R30
<b>Flare Flange with Pilot Port Connection</b>	
Union Style	
'O' Ring Face Cone with Pilot Port . . . . .	R31
Flat Face Cone with Pilot Port . . . . .	R32
Flare Flange to Flat Face Component . . . . .	R33
Flare Flange to Retain Ring Component . . . . .	R34
<b>Retian Ring Flange with Pilot Port Connection</b>	
Pipe Union . . . . .	R35
Pipe to Flat Face Component . . . . .	R36
Butt Weld Adapter Union . . . . .	R37
Butt Weld Adapter to Flat Face Component . . . . .	R38
<b>Blanking Flange</b>	
Blanking Flange to Flat Face Component	
ISO 6162-1, ISO 6162-2, ISO 6164 . . . . .	R39
TMI 8-Bolt . . . . .	R40
Low Pressure Blanking Flange to Flat Face Component	
TMI 6-Bolt, TMI 8-Bolt . . . . .	R41
<b>Transition Plate Reducer</b>	
Manifold Mount Style to Flat Face Component	
ISO 6162-1 . . . . .	R42
ISO 6162-2, ISO 6162-2/6161-1 . . . . .	R43
ISO 6164, ISO 6164/6162-1, ISO 6164/6162-2 . . . . .	R44
TMI 8-Bolt, TMI 8-Bolt/ISO 6164 . . . . .	R45
<b>Transition Plate</b>	
Manifold Mount Style to Flat Face Component	
ISO 6162-2/6162-1 . . . . .	R46
ISO 6164/6162-1 . . . . .	R46





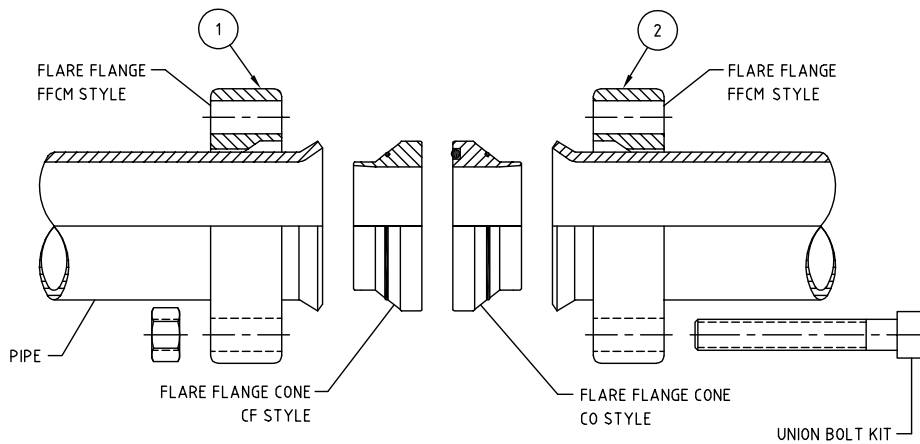
# Bolt Kit Order Example

Bolt Kit part number example:		Bolt Kit	Flange #1	Seal (if necessary)	Flange #2 or Connection	Flange Code	Flange Size	NUT	Bolt Style	Lock-washer	Design number
Bolt Kit		BKM (insert 'M' to indicate Metric threads)									
Flange #1	<b>FFCM</b> Flare Flg Clearance <b>RFC</b> Retain Ring Flg Clearance (1/2"-4") <b>RFAC</b> Retain Ring Flg Clearance (5"-8") <b>BWFO</b> Butt weld Flg Oring Face <b>SWFO</b> Socket Weld Flg Oring Face <b>SFM</b> SAE Split Flange <b>BFOM</b> Blanking Flange <b>TPROM</b> Transition Plate Reducer <b>TPOM</b> Transition Plate										
Seal	<b>OS</b> Oring Seal Retainer (1/2"-4") <b>OSA</b> Oring Seal Retainer (5"-8") <b>OSPM</b> Oring Seal Retainer with Pilot Port <b>OSAPM</b> Oring Seal Retainer with Pilot Port <b>OSS</b> Oring Seal Retainer -4" BV only <b>OSH</b> Oring Seal Retainer <b>OSHS</b> Oring Seal Retainer -4" BV only <b>OCP</b> Oring Connector Plate <b>LPTM</b> Low Pressure Pilot Tee <b>LOCP</b> Low Pressure Oring Connector Plate <b>COP</b> Cone-O'Ring Face with Pilot Port <b>CFP</b> Cone-Flat Face with pilot Port										
Flange or connection #2	<b>FFCM</b> Flare Flg Clearance <b>FFTM</b> Flare Flg Tapped <b>RFC</b> Retain Ring Flg Clearance (1/2"-4") <b>RFAC</b> Retain Ring Flg Clearance (5"-8") <b>RFTM</b> Retain Ring Flg Tapped <b>BWFF</b> Butt weld Flg Flat Face <b>SWFF</b> Socket Weld Flg Flat Face <b>COMP</b> Component										
Flange code	<b>34</b> (ISO 6162-1) <b>64</b> (ISO 6162-2) <b>74</b> (ISO 6164) <b>48</b> (TMI 8-Bolt) <b>16</b> (low pressure 6-Bolt) <b>18</b> (low pressure 8-Bolt) <b>6-34</b> (ISO 6162-2/6162-1) <b>7-34</b> (ISO 6164/6162-1) <b>7-64</b> (ISO 6164/6162-2) <b>4-74</b> (TMI 8-Bolt/ISO 6164) <b>1-16</b> (low pressure TMI 8-Bolt/6-Bolt)										
Flange size	<b>050</b> 1/2" <b>075</b> 3/4" <b>100</b> 1" <b>125</b> 1 1/4" <b>150</b> 1 1/2" <b>200</b> 2" <b>250</b> 2 1/2" <b>300</b> 3" <b>400</b> 4" <b>500</b> 5" <b>600</b> 6" <b>800</b> 8"										
NUT	<b>N</b> Nut <b>N-N</b> (to be used with stud)										
Bolt Style	<b>SC</b> Socket Cap <b>HH</b> Hex Head										
Lock Washer	<b>LW</b> Lockwasher <b>HLW</b> High Collar Lockwasher										
Design Number	Indicate if design changes										



# Bolt Kits - Flare Flange - Metric

## Union Style



### ISO 6162-1 - 4-Bolt Flange Connection

Size	Bolt Kit Part No.	Metric Sizes	Bolt Torque Nm
1/2"	BKM-FFCM-FFCM-34-050-SC	M8 x 60-SC	20 - 25
3/4"	BKM-FFCM-FFCM-34-075-SC	M10 x 65-SC	55 - 68
1"	BKM-FFCM-FFCM-34-100-SC	M10 x 65-SC	55 - 68
1 1/4"	BKM-FFCM-FFCM-34-125-SC	M10 x 65-SC	55 - 68
1 1/2"	BKM-FFCM-FFCM-34-150-SC	M12 x 75-SC	76 - 83
2"	BKM-FFCM-FFCM-34-200-SC	M12 x 80-SC	110 - 125
2 1/2"	BKM-FFCM-FFCM-34-250-SC	M12 x 100-SC	110 - 125
3"	BKM-FFCM-FFCM-34-300-SC	M16 x 120-SC	150 - 165

### ISO 6162-2 - 4-Bolt Flange Connection

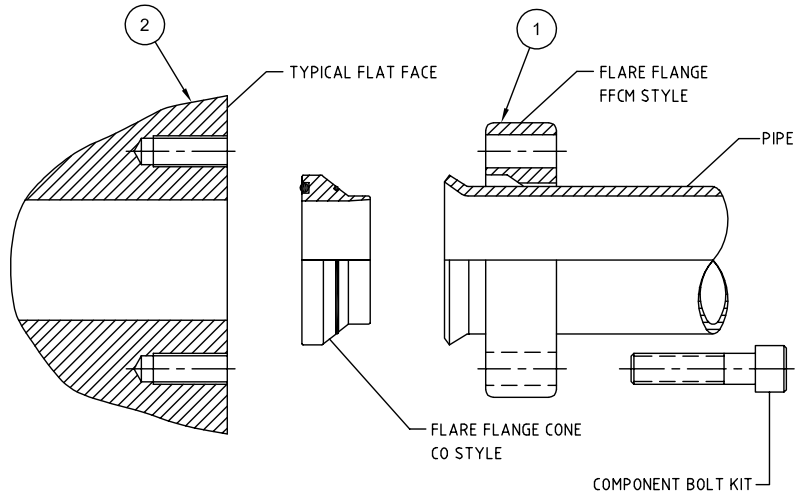
Size	Bolt Kit Part No.	Metric Sizes	Bolt Torque Nm
1/2"	BKM-FFCM-FFCM-64-050-SC	M8 x 60-SC	20 - 25
3/4"	BKM-FFCM-FFCM-64-075-SC	M10 x 70-SC	55 - 68
1"	BKM-FFCM-FFCM-64-100-SC	M12 x 70-SC	110 - 125
1 1/4"	BKM-FFCM-FFCM-64-125-SC	M12 x 80-SC	110 - 125
1 1/2"	BKM-FFCM-FFCM-64-150-SC	M16 x 100-SC	150 - 165
2"	BKM-FFCM-FFCM-64-200-SC	M20 x 120-SC	165 - 175

### ISO 6164 - 4-Bolt Flange Connection

Size	Bolt Kit Part No.	Metric Sizes	Bolt Torque Nm
2 1/2"	BKM-FFCM-FFCM-74-250-SC	M20 x 120-SC	165 - 175
3"	BKM-FFCM-FFCM-74-300-HH	M24 x 130-HH	475 - 550

# Bolt Kits - Flare Flange - Metric

Flare 'O' Ring Face to Flat Face Component



## ISO 6162-1 - 4-Bolt Flange Connection

Size	Bolt Kit Part No.	Metric Sizes	Bolt Torque Nm
1/2"	BKM-FFCM-COMP-34-050-SC	M8 x 40-N-SC	20 - 25
3/4"	BKM-FFCM-COMP-34-075-SC	M10 x 40-N-SC	55 - 68
1"	BKM-FFCM-COMP-34-100-SC	M10 x 40-N-SC	55 - 68
1 1/4"	BKM-FFCM-COMP-34-125-SC	M10 x 45-N-SC	55 - 68
1 1/2"	BKM-FFCM-COMP-34-150-SC	M12 x 50-N-SC	76 - 83
2"	BKM-FFCM-COMP-34-200-SC	M12 x 50-N-SC	110 - 125
2 1/2"	BKM-FFCM-COMP-34-250-SC	M12 x 65-N-SC	110 - 125
3"	BKM-FFCM-COMP-34-300-SC	M16 x 70-N-SC	150 - 165

## ISO 6162-2 - 4-Bolt Flange Connection

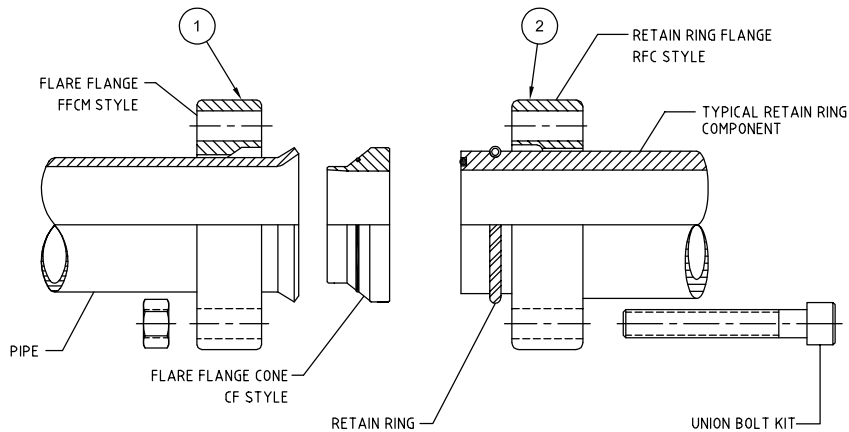
Size	Bolt Kit Part No.	Metric Sizes	Bolt Torque Nm
1/2"	BKM-FFCM-COMP-64-050-SC	M8 x 40-N-SC	20 - 25
3/4"	BKM-FFCM-COMP-64-075-SC	M10 x 45-N-SC	55 - 68
1"	BKM-FFCM-COMP-64-100-SC	M12 x 45-N-SC	110 - 125
1 1/4"	BKM-FFCM-COMP-64-125-SC	M12 x 50-N-SC	110 - 125
1 1/2"	BKM-FFCM-COMP-64-150-SC	M16 x 65-N-SC	150 - 165
2"	BKM-FFCM-COMP-64-200-SC	M20 x 70-N-SC	165 - 175

## ISO 6164 - 4-Bolt Flange Connection

Size	Bolt Kit Part No.	Metric Sizes	Bolt Torque Nm
2 1/2"	BKM-FFCM-COMP-74-250-SC	M20 x 75-N-SC	165 - 175
3"	BKM-FFCM-COMP-74-300-HH	M24 x 90-N-HH	475 - 550

# Bolt Kits - Flare Flange - Metric

Flare Flat Face to 'O' Ring Face Retain Ring Component



## ISO 6162-1 - 4-Bolt Flange Connection

Size	Bolt Kit Part No.	Metric Sizes	Bolt Torque Nm
1/2"	BKM-FFCM-RFC-34-050-N-SC	M8 x 60-N-SC	20 - 25
3/4"	BKM-FFCM-RFC-34-075-N-SC	M10 x 65-N-SC	55 - 68
1"	BKM-FFCM-RFC-34-100-N-SC	M10 x 65-N-SC	55 - 68
1 1/4"	BKM-FFCM-RFC-34-125-N-SC	M10 x 65-N-SC	55 - 68
1 1/2"	BKM-FFCM-RFC-34-150-N-SC	M12 x 75-N-SC	76 - 83
2"	BKM-FFCM-RFC-34-200-N-SC	M12 x 80-N-SC	110 - 125
2 1/2"	BKM-FFCM-RFC-34-250-N-SC	M12 x 100-N-SC	110 - 125
3"	BKM-FFCM-RFC-34-300-N-SC	M16 x 120-N-SC	150 - 165

## ISO 6162-2 - 4-Bolt Flange Connection

Size	Bolt Kit Part No.	Metric Sizes	Bolt Torque Nm
1/2"	BKM-FFCM-RFC-64-050-N-SC	M8 x 60-N-SC	20 - 25
3/4"	BKM-FFCM-RFC-64-075-N-SC	M10 x 70-N-SC	55 - 68
1"	BKM-FFCM-RFC-64-100-N-SC	M12 x 70-N-SC	110 - 125
1 1/4"	BKM-FFCM-RFC-64-125-N-SC	M12 x 80-N-SC	110 - 125
1 1/2"	BKM-FFCM-RFC-64-150-N-SC	M16 x 100-N-SC	150 - 165
2"	BKM-FFCM-RFC-64-200-N-SC	M20 x 120-N-SC	165 - 175

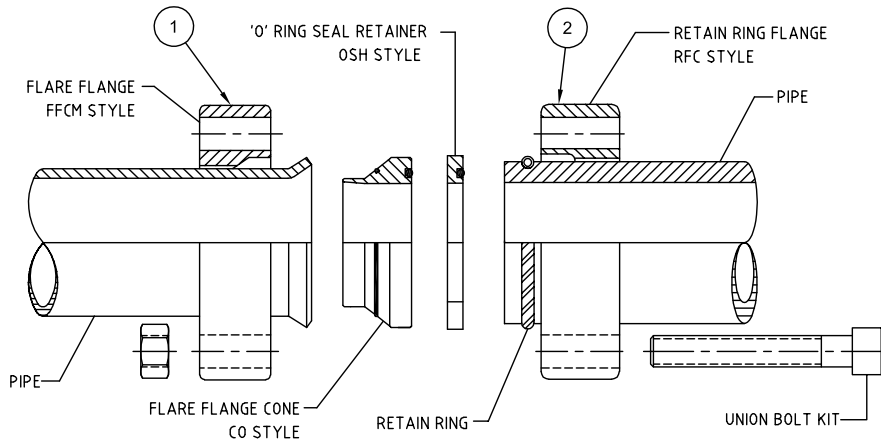
## ISO 6164 - 4-Bolt Flange Connection

Size	Bolt Kit Part No.	Metric Sizes	Bolt Torque Nm
2 1/2"	BKM-FFCM-RFC-74-250-N-SC	M20 x 120-N-SC	165 - 175
3"	BKM-FFCM-RFC-74-300-N-HH	M24 x 130-N-HH	475 - 550



# Bolt Kits - Flare Flange - Metric

Flare 'O' Ring Face to Retain Ring Pipe



## ISO 6162-1 - 4-Bolt Flange Connection

Size	Bolt Kit Part No.	Metric Sizes	Bolt Torque Nm
1 1/2"	BKM-FFCM-OSH-RFC-34-150-N-SC	M12 x 75-N-SC	76 - 83
2"	BKM-FFCM-OSH-RFC-34-200-N-SC	M12 x 90-N-SC	110 - 125
2 1/2"	BKM-FFCM-OSH-RFC-34-250-N-SC	M12 x 100-N-SC	110 - 125
3"	BKM-FFCM-OSH-RFC-34-300-N-SC	M16 x 130-N-SC	150 - 165

## ISO 6162-2 - 4-Bolt Flange Connection

Size	Bolt Kit Part No.	Metric Sizes	Bolt Torque Nm
1 1/2"	BKM-FFCM-OSH-RFC-64-150-N-SC	M16 x 100-N-SC	150 - 165
2"	BKM-FFCM-OSH-RFC-64-200-N-SC	M20 x 120-N-SC	165 - 175

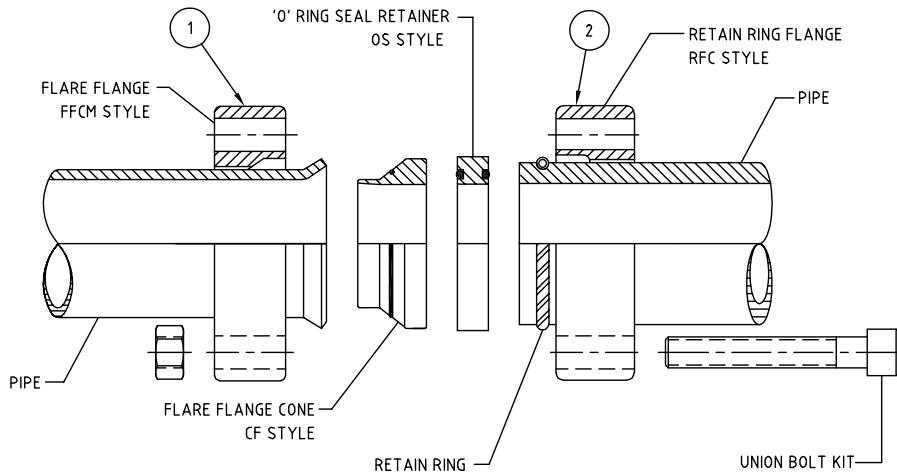
## ISO 6164 - 4-Bolt Flange Connection

Size	Bolt Kit Part No.	Metric Sizes	Bolt Torque Nm
2 1/2"	BKM-FFCM-OSH-RFC-74-250-N-SC	M20 x 120-N-SC	165 - 175
3"	BKM-FFCM-OSH-RFC-74-300-N-HH	M24 x 130-N-HH	475 - 550



# Bolt Kits - Flare Flange - Metric

Flare Flat Face to Retain Ring Pipe



## ISO 6162-1 - 4-Bolt Flange Connection

Size	Bolt Kit Part No.	Metric Sizes	Bolt Torque Nm
1 1/2"	BKM-FFCM-OS-RFC-34-150-N-SC	M12 x 80-N-SC	76 - 83
2"	BKM-FFCM-OS-RFC-34-200-N-SC	M12 x 100-N-SC	110 - 125
2 1/2"	BKM-FFCM-OS-RFC-34-250-N-SC	M12 x 120-N-SC	110 - 125
3"	BKM-FFCM-OS-RFC-34-300-N-SC	M16 x 130-N-SC	150 - 165

## ISO 6162-2 - 4-Bolt Flange Connection

Size	Bolt Kit Part No.	Metric Sizes	Bolt Torque Nm
1 1/2"	BKM-FFCM-OS-RFC-64-150-N-SC	M16 x 100-N-SC	150 - 165
2"	BKM-FFCM-OS-RFC-64-200-N-SC	M20 x 130-N-SC	165 - 175

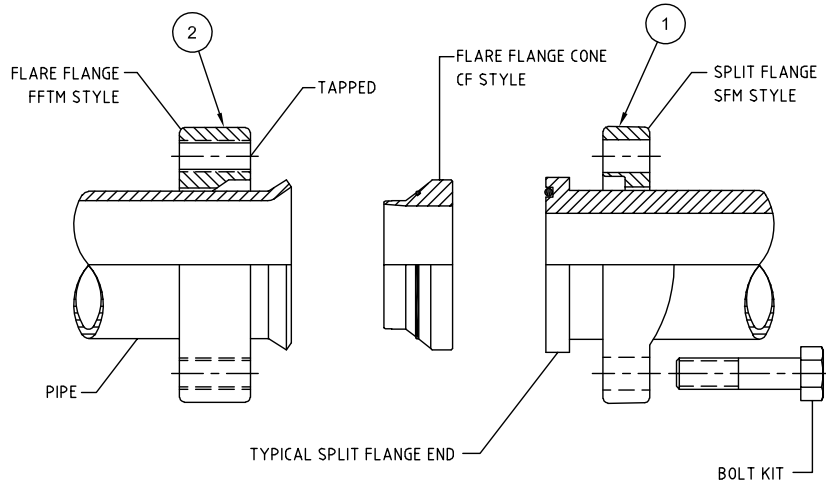
## ISO 6164 - 4-Bolt Flange Connection

Size	Bolt Kit Part No.	Metric Sizes	Bolt Torque Nm
2 1/2"	BKM-FFCM-OS-RFC-74-250-N-SC	M20 x 130-N-SC	165 - 175
3"	BKM-FFCM-OS-RFC-74-300-N-HH	M24 x 140-N-HH	475 - 550



# Bolt Kits - Flare Flange - Metric

## Flare Flat Face to Split Flange



### ISO 6162-1 - 4-Bolt Flange Connection

Size	Bolt Kit Part No.	Metric Sizes	Bolt Torque Nm
1/2"	BKM-SFM-FFTM-34-050-HH	M8 x 40-HH	20 - 25
3/4"	BKM-SFM-FFTM-34-075-HH	M10 x 40-HH	55 - 68
1"	BKM-SFM-FFTM-34-100-HH	M10 x 40-HH	55 - 68
1 1/4"	BKM-SFM-FFTM-34-125-HH	M10 x 40-HH	55 - 68
1 1/2"	BKM-SFM-FFTM-34-150-HH	M12 x 45-HH	76 - 83
2"	BKM-SFM-FFTM-34-200-HH	M12 x 50-HH	110 - 125
2 1/2"	BKM-SFM-FFTM-34-250-HH	M12 x 50-HH	110 - 125
3"	BKM-SFM-FFTM-34-300-HH	M16 x 65-HH	150 - 165

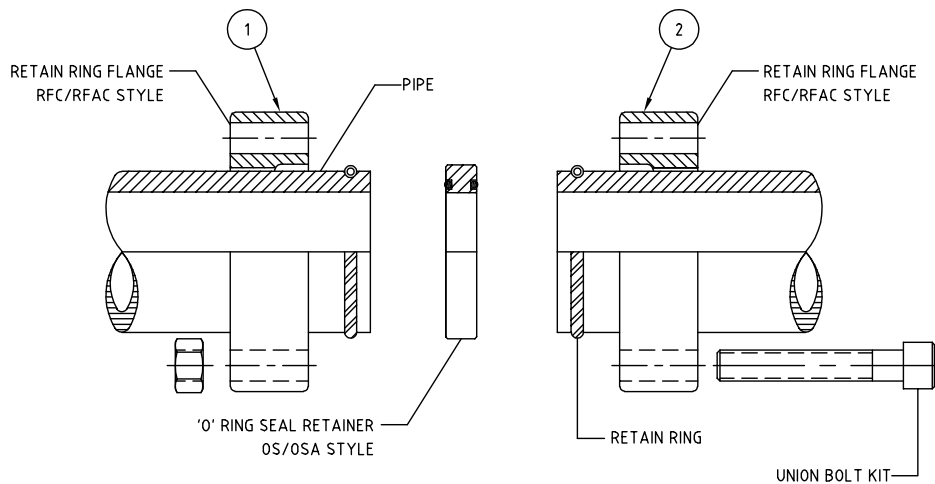
### ISO 6162-2 - 4-Bolt Flange Connection

Size	Bolt Kit Part No.	Metric Sizes	Bolt Torque Nm
1/2"	BKM-SFM-FFTM-64-050-HH	M8 x 40-HH	20 - 25
3/4"	BKM-SFM-FFTM-64-075-HH	M10 x 45-HH	55 - 68
1"	BKM-SFM-FFTM-64-100-HH	M12 x 50-HH	110 - 125
1 1/4"	BKM-SFM-FFTM-64-125-HH	M12 x 60-HH	110 - 125
1 1/2"	BKM-SFM-FFTM-64-150-HH	M16 x 70-HH	150 - 165
2"	BKM-SFM-FFTM-64-200-HH	M20 x 80-HH	165 - 175



# Bolt Kits - Retain Ring Flange - Metric

## Pipe Union



### ISO 6162-1 - 4-Bolt Flange Connection

Size	Bolt Kit Part No.	Metric Sizes	Bolt Torque Nm
1 1/2"	BKM-RFC-OS-RFC-34-150-N-SC	M12 x 75-N-SC	76 - 83
2"	BKM-RFC-OS-RFC-34-200-N-SC	M12 x 80-N-SC	110 - 125
2 1/2"	BKM-RFC-OS-RFC-34-250-N-SC	M12 x 100-N-SC	110 - 125
3"	BKM-RFC-OS-RFC-34-300-N-SC	M16 x 130-N-SC	150 - 165

### ISO 6162-2 - 4-Bolt Flange Connection

Size	Bolt Kit Part No.	Metric Sizes	Bolt Torque Nm
1 1/2"	BKM-RFC-OS-RFC-64-150-N-SC	M16 x 100-N-SC	150 - 165
2"	BKM-RFC-OS-RFC-64-200-N-SC	M20 x 110-N-SC	165 - 175

### ISO 6164 - 4-Bolt Flange Connection

Size	Bolt Kit Part No.	Metric Sizes	Bolt Torque Nm
2 1/2"	BKM-RFC-OS-RFC-74-250-N-SC	M20 x 110-N-SC	165 - 175
3"	BKM-RFC-OS-RFC-74-300-N-HH	M24 x 140-N-HH	475 - 550
4"	BKM-RFC-OS-RFC-74-400-N-N	M30 x 200-N-N	665 - 730

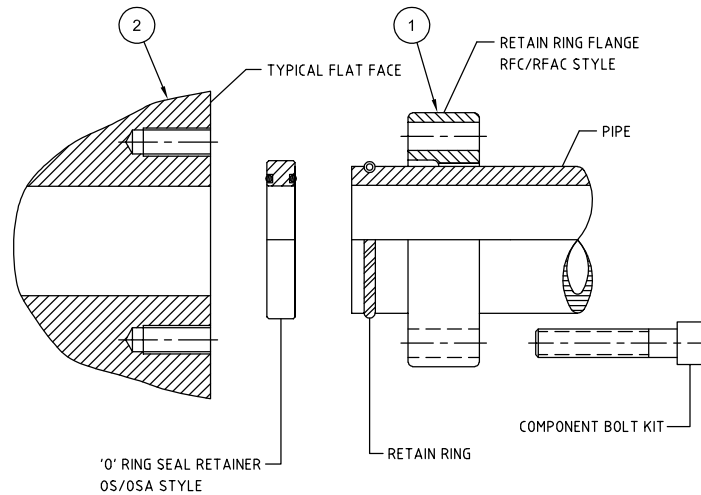
### TMI® 8-Bolt - Flange Connection

Size	Bolt Kit Part No.	Metric Sizes	Bolt Torque Nm
5"	BKM-RFAC-OSA-RFAC-48-500-N-HH	M24 x 140-N-HH	475 - 550
6"	BKM-RFAC-OSA-RFAC-48-600-N-N	M30 x 250-N-N	665 - 730
8"	BKM-RFAC-OSA-RFAC-48-800-N-N	M36 x 300-N-N	1460 - 1595



# Bolt Kits - Retain Ring Flange - Metric

Pipe to Flat Face Component



## ISO 6162-1 - 4-Bolt Flange Connection

Size	Bolt Kit Part No.	Metric Sizes	Bolt Torque Nm
1 1/2"	BKM-RFC-OS-COMP-34-150-SC	M12 x 60-SC	76 - 83
2"	BKM-RFC-OS-COMP-34-200-SC	M12 x 65-SC	110 - 125
2 1/2"	BKM-RFC-OS-COMP-34-250-SC	M12 x 75-SC	110 - 125
3"	BKM-RFC-OS-COMP-34-300-SC	M16 x 90-SC	150 - 165

## ISO 6162-2 - 4-Bolt Flange Connection

Size	Bolt Kit Part No.	Metric Sizes	Bolt Torque Nm
1 1/2"	BKM-RFC-OS-COMP-64-150-SC	M16 x 70-SC	150 - 165
2"	BKM-RFC-OS-COMP-64-200-SC	M20 x 80-SC	165 - 175

## ISO 6164 - 4-Bolt Flange Connection

Size	Bolt Kit Part No.	Metric Sizes	Bolt Torque Nm
2 1/2"	BKM-RFC-OS-COMP-74-250-SC	M20 x 90-SC	165 - 175
3"	BKM-RFC-OS-COMP-74-300-HH	M24 x 100-HH	475 - 550
4"	BKM-RFC-OS-COMP-74-400-HH	M30 x 110-HH	665 - 730

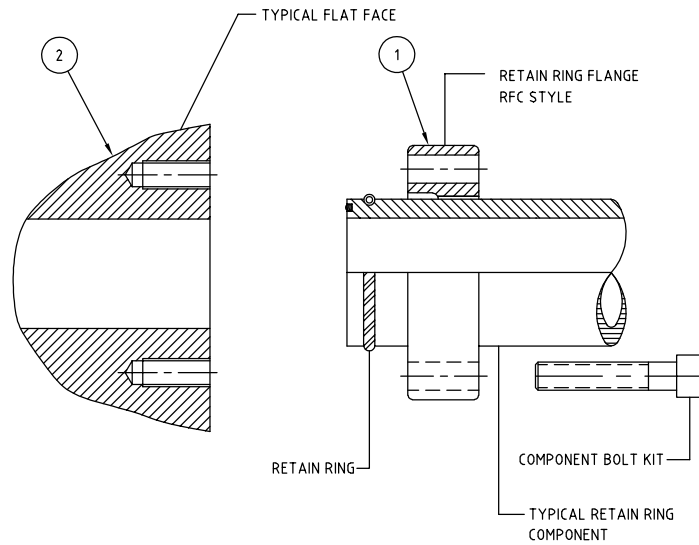
## TMI® 8-Bolt - 4-Bolt Flange Connection

Size	Bolt Kit Part No.	Metric Sizes	Bolt Torque Nm
5"	BKM-RFAC-OSA-COMP-48-500-HH	M24 x 110-HH	475 - 550
6"	BKM-RFAC-OSA-COMP-48-600-HH	M30 x 130-HH	665 - 730
8"	BKM-RFAC-OSA-COMP-48-800-HH	M36 x 150-HH	1460 - 1595



# Bolt Kits - Retain Ring Flange - Metric

'O' Ring Face Retain Ring Component to Flat Face Component



## ISO 6162-1 - 4-Bolt Flange Connection

Size	Bolt Kit Part No.	Metric Sizes	Bolt Torque Nm
1/2"	BKM-RFC-COMP-34-050-SC	M8 x 40-SC	20 - 25
3/4"	BKM-RFC-COMP-34-075-SC	M10 x 40-SC	55 - 68
1"	BKM-RFC-COMP-34-100-SC	M10 x 40-SC	55 - 68
1 1/4"	BKM-RFC-COMP-34-125-SC	M10 x 45-SC	55 - 68
1 1/2"	BKM-RFC-COMP-34-150-SC	M12 x 50-SC	76 - 83
2"	BKM-RFC-COMP-34-200-SC	M12 x 50-SC	110 - 125
2 1/2"	BKM-RFC-COMP-34-250-SC	M12 x 65-SC	110 - 125
3"	BKM-RFC-COMP-34-300-SC	M16 x 80-SC	150 - 165

## ISO 6162-2 - 4-Bolt Flange Connection

Size	Bolt Kit Part No.	Metric Sizes	Bolt Torque Nm
1/2"	BKM-RFC-COMP-64-050-SC	M8 x 40-SC	20 - 25
3/4"	BKM-RFC-COMP-64-075-SC	M10 x 45-SC	55 - 68
1"	BKM-RFC-COMP-64-100-SC	M12 x 45-SC	110 - 125
1 1/4"	BKM-RFC-COMP-64-125-SC	M12 x 50-SC	110 - 125
1 1/2"	BKM-RFC-COMP-64-150-SC	M16 x 65-SC	150 - 165
2"	BKM-RFC-COMP-64-200-SC	M20 x 70-SC	165 - 175

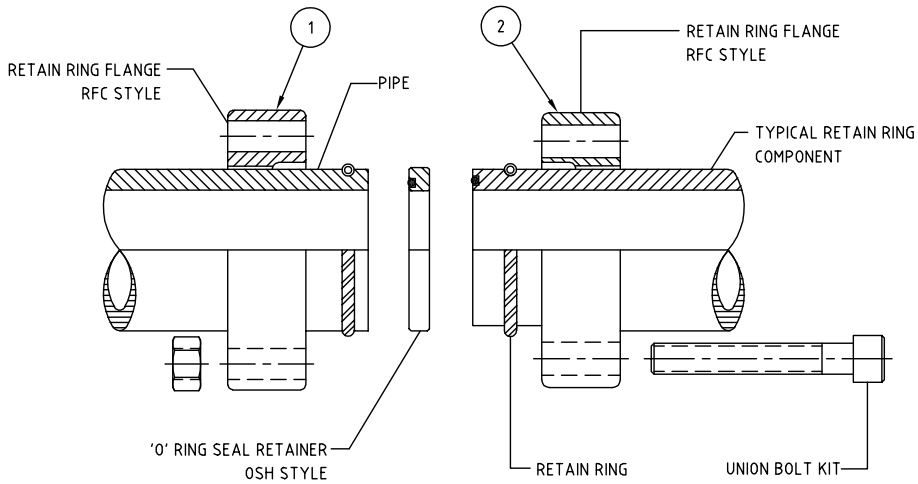
## ISO 6164 - 4-Bolt Flange Connection

Size	Bolt Kit Part No.	Metric Sizes	Bolt Torque Nm
2 1/2"	BKM-RFC-COMP-74-250-SC	M20 x 75-SC	165 - 175
3"	BKM-RFC-COMP-74-300-HH	M24 x 90-HH	475 - 550
4"	BKM-RFC-COMP-74-400-HH	M30 x 90-HH	665 - 730



# Bolt Kits - Retain Ring Flange - Metric

Pipe to 'O' Ring Face Retain Ring Component



## ISO 6162-1 - 4-Bolt Flange Connection

Size	Bolt Kit Part No.	Metric Sizes	Bolt Torque Nm
1 1/2"	BKM-RFC-OSH-RFC-34-150-N-SC	M12 x 75-N-SC	76 - 83
2"	BKM-RFC-OSH-RFC-34-200-N-SC	M12 x 90-N-SC	110 - 125
2 1/2"	BKM-RFC-OSH-RFC-34-250-N-SC	M12 x 100-N-SC	110 - 125
3"	BKM-RFC-OSH-RFC-34-300-N-SC	M16 x 130-N-SC	150 - 165

## ISO 6162-2 - 4-Bolt Flange Connection

Size	Bolt Kit Part No.	Metric Sizes	Bolt Torque Nm
1 1/2"	BKM-RFC-OSH-RFC-64-150-N-SC	M16 x 100-N-SC	150 - 165
2"	BKM-RFC-OSH-RFC-64-200-N-SC	M20 x 120-N-SC	165 - 175

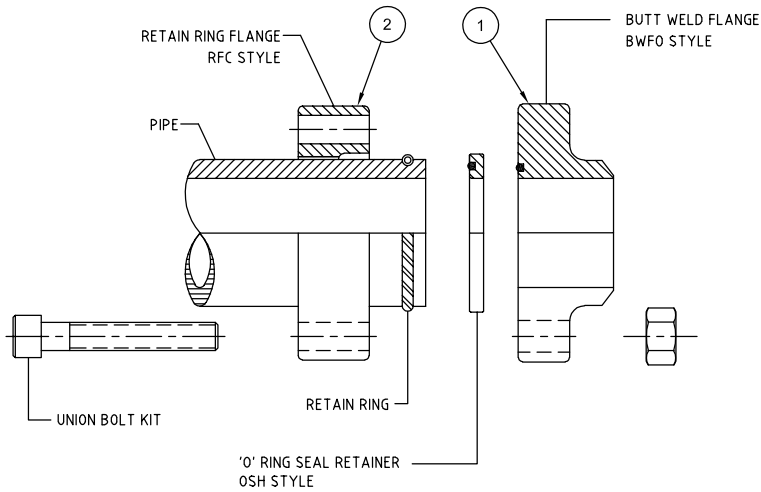
## ISO 6164 - 4-Bolt Flange Connection

Size	Bolt Kit Part No.	Metric Sizes	Bolt Torque Nm
2 1/2"	BKM-RFC-OSH-RFC-74-250-N-SC	M20 x 120-N-SC	165 - 175
3"	BKM-RFC-OSH-RFC-74-300-N-HH	M24 x 140-N-HH	475 - 550
4"	BKM-RFC-OSH-RFC-74-400-N-N	M30 x 200-N-N	665 - 730



# Bolt Kits - Retain Ring Flange - Metric

Pipe to 'O' Ring Face Component



## ISO 6162-1 - 4-Bolt Flange Connection

Size	Bolt Kit Part No.	Metric Sizes	Bolt Torque Nm
1 1/2"	BKM-BWFO-OSH-RFC-34-150-N-SC	M12 x 75-N-SC	76 - 83
2"	BKM-BWFO-OSH-RFC-34-200-N-SC	M12 x 75-N-SC	110 - 125
2 1/2"	BKM-BWFO-OSH-RFC-34-250-N-SC	M12 x 90-N-SC	110 - 125
3"	BKM-BWFO-OSH-RFC-34-300-N-SC	M16 x 100-N-SC	150 - 165

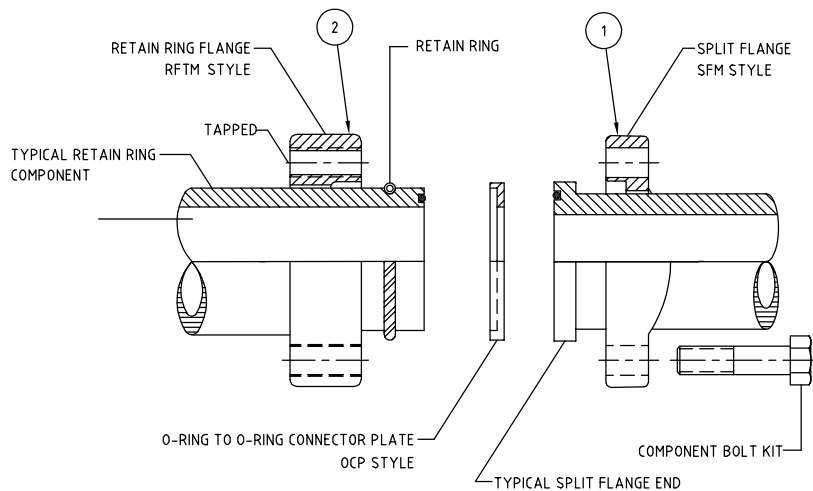
## ISO 6162-2 - 4-Bolt Flange Connection

Size	Bolt Kit Part No.	Metric Sizes	Bolt Torque Nm
1 1/2"	BKM-BWFO-OSH-RFC-64-150-N-SC	M16 x 90-N-SC	150 - 165
2"	BKM-BWFO-OSH-RFC-64-200-N-SC	M20 x 100-N-SC	165 - 175



# Bolt Kits - Retain Ring Flange - Metric

'O' Ring Face Retain Ring Component to Split Flange



## ISO 6162-1 - 4-Bolt Flange Connection

Size	Bolt Kit Part No.	Metric Sizes	Bolt Torque Nm
1/2"	BKM-SFM-OCP-RFTM-34-050-HH	M8 x 40-HH	20 - 25
3/4"	BKM-SFM-OCP-RFTM-34-075-HH	M10 x 45-HH	55 - 68
1"	BKM-SFM-OCP-RFTM-34-100-HH	M10 x 45-HH	55 - 68
1 1/4"	BKM-SFM-OCP-RFTM-34-125-HH	M10 x 45-HH	55 - 68
1 1/2"	BKM-SFM-OCP-RFTM-34-150-HH	M12 x 50-HH	76 - 83
2"	BKM-SFM-OCP-RFTM-34-200-HH	M12 x 50-HH	110 - 125
2 1/2"	BKM-SFM-OCP-RFTM-34-250-HH	M12 x 60-HH	110 - 125
3"	BKM-SFM-OCP-RFTM-34-300-HH	M16 x 65-HH	150 - 165

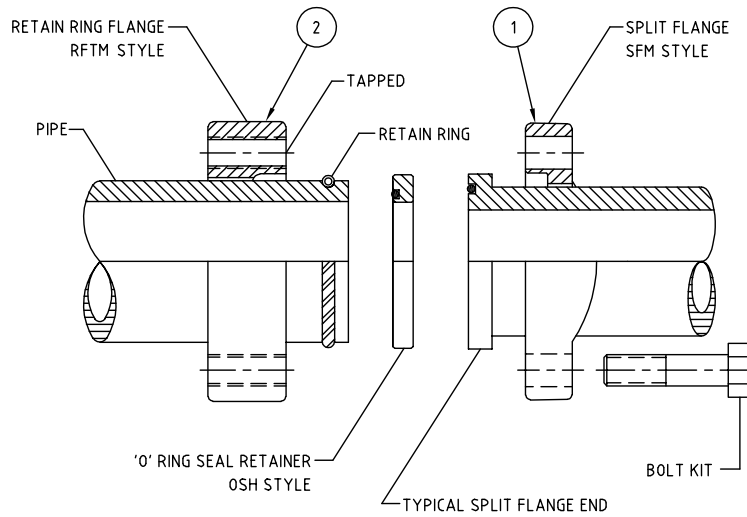
## ISO 6162-2 - 4-Bolt Flange Connection

Size	Bolt Kit Part No.	Metric Sizes	Bolt Torque Nm
1/2"	BKM-SFM-OCP-RFTM-64-050-HH	M8 x 40-HH	20 - 25
3/4"	BKM-SFM-OCP-RFTM-64-075-HH	M10 x 50-HH	55 - 68
1"	BKM-SFM-OCP-RFTM-64-100-HH	M12 x 60-HH	110 - 125
1 1/4"	BKM-SFM-OCP-RFTM-64-125-HH	M12 x 70-HH	110 - 125
1 1/2"	BKM-SFM-OCP-RFTM-64-150-HH	M16 x 75-HH	150 - 165
2"	BKM-SFM-OCP-RFTM-64-200-HH	M20 x 90-HH	165 - 175



# Bolt Kits - Retain Ring Flange - Metric

## Pipe to Split Flange



### ISO 6162-1 - 4-Bolt Flange Connection

Size	Bolt Kit Part No.	Metric Sizes	Bolt Torque Nm
1 1/2"	BKM-SFM-OSH-RFTM-34-150-HH	M12 x 45-HH	76 - 83
2"	BKM-SFM-OSH-RFTM-34-200-HH	M12 x 50-HH	110 - 125
2 1/2"	BKM-SFM-OSH-RFTM-34-250-HH	M12 x 60-HH	110 - 125
3"	BKM-SFM-OSH-RFTM-34-300-HH	M16 x 65-HH	150 - 165

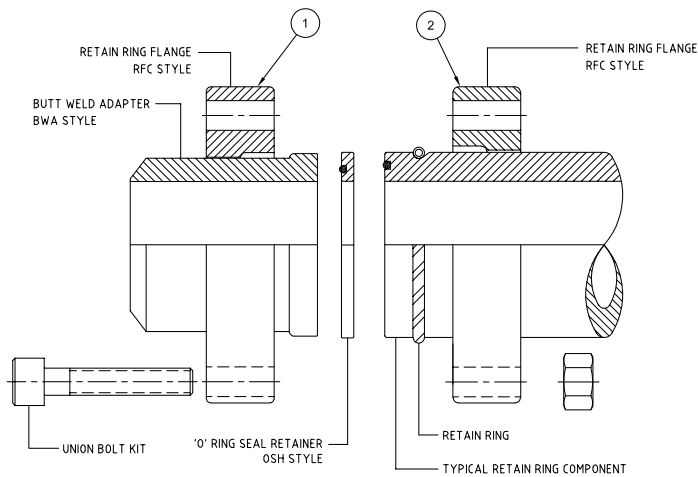
### ISO 6162-2 - 4-Bolt Flange Connection

Size	Bolt Kit Part No.	Metric Sizes	Bolt Torque Nm
1 1/2"	BKM-SFM-OSH-RFTM-64-150-HH	M16 x 70-HH	150 - 165
2"	BKM-SFM-OSH-RFTM-64-200-HH	M20 x 80-HH	165 - 175



# Bolt Kits - Retain Ring Flange Metric

Butt Weld Adapter to 'O' Ring Face Retain Ring Component



## ISO 6162-1 - 4-Bolt Flange Connection

Size	Bolt Kit Part No.	Metric Sizes	Bolt Torque Nm
1/2"	BKM-RFC-OSH-RFC-34-050-N-SC	M8 x 60-N-SC	20 - 25
3/4"	BKM-RFC-OSH-RFC-34-075-N-SC	M10 x 65-N-SC	55 - 68
1"	BKM-RFC-OSH-RFC-34-100-N-SC	M10 x 65-N-SC	55 - 68
1 1/4"	BKM-RFC-OSH-RFC-34-125-N-SC	M10 x 65-N-SC	55 - 68
1 1/2"	BKM-RFC-OSH-RFC-34-150-N-SC	M12 x 75-N-SC	76 - 83
2"	BKM-RFC-OSH-RFC-34-200-N-SC	M12 x 90-N-SC	110 - 125
2 1/2"	BKM-RFC-OSH-RFC-34-250-N-SC	M12 x 100-N-SC	110 - 125
3"	BKM-RFC-OSH-RFC-34-300-N-SC	M16 x 130-N-SC	150 - 165

## ISO 6162-2 - 4-Bolt Flange Connection

Size	Bolt Kit Part No.	Metric Sizes	Bolt Torque Nm
1/2"	BKM-RFC-OSH-RFC-64-050-N-SC	M8 x 60-N-SC	20 - 25
3/4"	BKM-RFC-OSH-RFC-64-075-N-SC	M10 x 70-N-SC	55 - 68
1"	BKM-RFC-OSH-RFC-64-100-N-SC	M12 x 70-N-SC	110 - 125
1 1/4"	BKM-RFC-OSH-RFC-64-125-N-SC	M12 x 80-N-SC	110 - 125
1 1/2"	BKM-RFC-OSH-RFC-64-150-N-SC	M16 x 100-N-SC	150 - 165
2"	BKM-RFC-OSH-RFC-64-200-N-SC	M20 x 120-N-SC	165 - 175

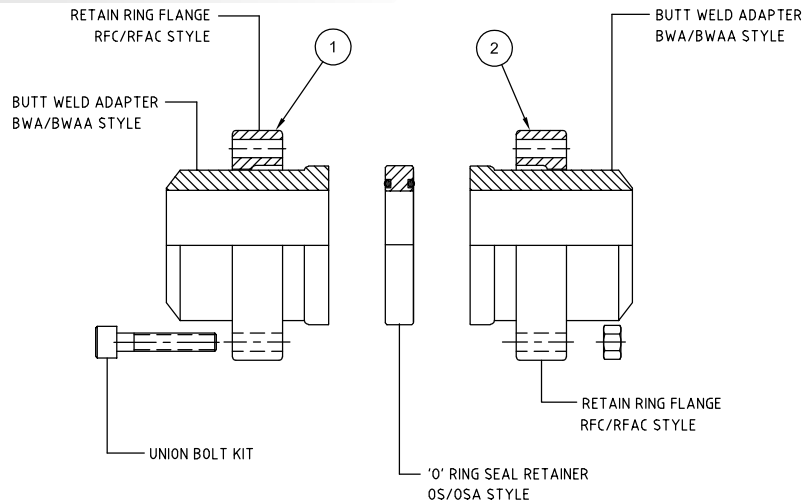
## ISO 6164 - 4-Bolt Flange Connection

Size	Bolt Kit Part No.	Metric Sizes	Bolt Torque Nm
2 1/2"	BKM-RFC-OSH-RFC-74-250-N-SC	M20 x 120-N-SC	165 - 175
3"	BKM-RFC-OSH-RFC-74-300-N-HH	M24 x 140-N-HH	475 - 550
4"	BKM-RFC-OSH-RFC-74-400-N-N	M30 x 200-N-N	665 - 730



# Bolt Kits - Retain Ring Flange - Metric

## Butt Weld Adapter Union



### ISO 6162-1 - 4-Bolt Flange Connection

Size	Bolt Kit Part No.	Metric Sizes	Bolt Torque Nm
1/2"	BKM-RFC-OS-RFC-34-050-N-SC	M8 x 60-N-SC	20 - 25
3/4"	BKM-RFC-OS-RFC-34-075-N-SC	M10 x 65-N-SC	55 - 68
1"	BKM-RFC-OS-RFC-34-100-N-SC	M10 x 65-N-SC	55 - 68
1 1/4"	BKM-RFC-OS-RFC-34-125-N-SC	M10 x 65-N-SC	55 - 68
1 1/2"	BKM-RFC-OS-RFC-34-150-N-SC	M12 x 75-N-SC	76 - 83
2"	BKM-RFC-OS-RFC-34-200-N-SC	M12 x 80-N-SC	110 - 125
2 1/2"	BKM-RFC-OS-RFC-34-250-N-SC	M12 x 100-N-SC	110 - 125
3"	BKM-RFC-OS-RFC-34-300-N-SC	M16 x 130-N-SC	150 - 165

### ISO 6162-2 - 4-Bolt Flange Connection

Size	Bolt Kit Part No.	Metric Sizes	Bolt Torque Nm
1/2"	BKM-RFC-OS-RFC-64-050-N-SC	M8 x 60-N-SC	20 - 25
3/4"	BKM-RFC-OS-RFC-64-075-N-SC	M10 x 70-N-SC	55 - 68
1"	BKM-RFC-OS-RFC-64-100-N-SC	M12 x 70-N-SC	110 - 125
1 1/4"	BKM-RFC-OS-RFC-64-125-N-SC	M12 x 80-N-SC	110 - 125
1 1/2"	BKM-RFC-OS-RFC-64-150-N-SC	M16 x 100-N-SC	150 - 165
2"	BKM-RFC-OS-RFC-64-200-N-SC	M20 x 120-N-SC	165 - 175

### ISO 6164 - 4-Bolt Flange Connection

Size	Bolt Kit Part No.	Metric Sizes	Bolt Torque Nm
2 1/2"	BKM-RFC-OS-RFC-74-250-N-SC	M20 x 120-N-SC	165 - 175
3"	BKM-RFC-OS-RFC-74-300-N-HH	M24 x 140-N-HH	475 - 550
4"	BKM-RFC-OS-RFC-74-400-N-N	M30 x 200-N-N	665 - 730

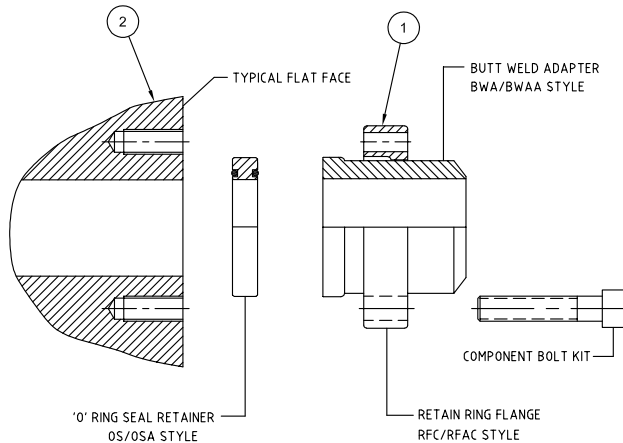
### TMI® 8-Bolt - 4-Bolt Flange Connection

Size	Bolt Kit Part No.	Metric Sizes	Bolt Torque Nm
5"	BKM-RFAC-OSA-RFAC-48-500-N-HH	M24 x 170-N-HH	475 - 550
6"	BKM-RFAC-OSA-RFAC-48-600-N-N	M30 x 250-N-N	665 - 730
8"	BKM-RFAC-OSA-RFAC-48-800-N-N	M36 x 300-N-N	1460 - 1595



# Bolt Kits - Retain Ring Flange - Metric

## Butt Weld Adapter to Flat Face Component



### ISO 6162-1 - 4-Bolt Flange Connection

Size	Bolt Kit Part No.	Metric Sizes	Bolt Torque Nm
1/2"	BKM-RFC-OS-COMP-34-050-SC	M8 x 45-SC	20 - 25
3/4"	BKM-RFC-OS-COMP-34-075-SC	M10 x 45-SC	55 - 68
1"	BKM-RFC-OS-COMP-34-100-SC	M10 x 45-SC	55 - 68
1 1/4"	BKM-RFC-OS-COMP-34-125-SC	M10 x 50-SC	55 - 68
1 1/2"	BKM-RFC-OS-COMP-34-150-SC	M12 x 60-SC	76 - 83
2"	BKM-RFC-OS-COMP-34-200-SC	M12 x 65-SC	110 - 125
2 1/2"	BKM-RFC-OS-COMP-34-250-SC	M12 x 75-SC	110 - 125
3"	BKM-RFC-OS-COMP-34-300-SC	M16 x 90-SC	150 - 165

### ISO 6162-2 - 4-Bolt Flange Connection

Size	Bolt Kit Part No.	Metric Sizes	Bolt Torque Nm
1/2"	BKM-RFC-OS-COMP-64-050-SC	M8 x 45-SC	20 - 25
3/4"	BKM-RFC-OS-COMP-64-075-SC	M10 x 50-SC	55 - 68
1"	BKM-RFC-OS-COMP-64-100-SC	M12 x 50-SC	110 - 125
1 1/4"	BKM-RFC-OS-COMP-64-125-SC	M12 x 65-SC	110 - 125
1 1/2"	BKM-RFC-OS-COMP-64-150-SC	M16 x 70-SC	150 - 165
2"	BKM-RFC-OS-COMP-64-200-SC	M20 x 80-SC	165 - 175

### ISO 6164 - 4-Bolt Flange Connection

Size	Bolt Kit Part No.	Metric Sizes	Bolt Torque Nm
2 1/2"	BKM-RFC-OS-COMP-74-250-SC	M20 x 90-SC	165 - 175
3"	BKM-RFC-OS-COMP-74-300-HH	M24 x 100-HH	475 - 550
4"	BKM-RFC-OS-COMP-74-400-HH	M30 x 110-HH	665 - 730

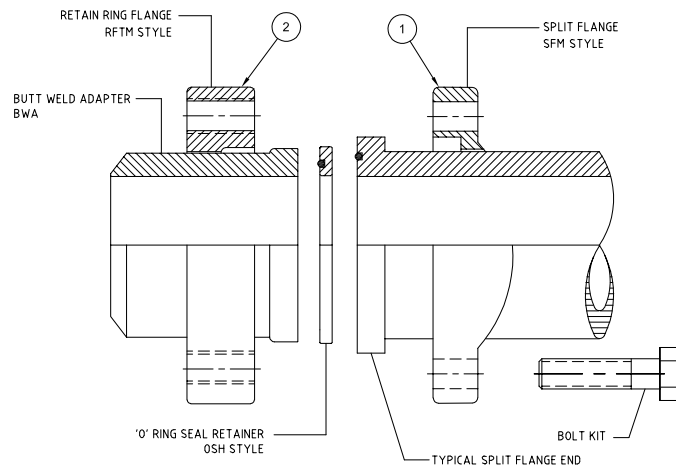
### TMI® 8-Bolt - Flange Connection

Size	Bolt Kit Part No.	Metric Sizes	Bolt Torque Nm
5"	BKM-RFAC-OSA-COMP-48-500-HH	M24 x 130-HH	475 - 550
6"	BKM-RFAC-OSA-COMP-48-600-HH	M30 x 130-HH	665 - 730
8"	BKM-RFAC-OSA-COMP-48-800-HH	M36 x 165-HH	1460 - 1595



# Bolt Kits - Retain Ring Flange - Metric

Butt Weld Adapter to SAE Split Flange



## ISO 6162-1 - 4-Bolt Flange Connection

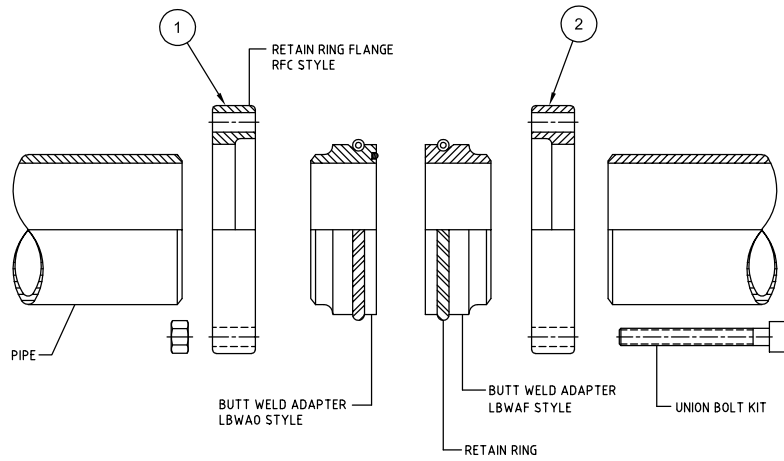
Size	Bolt Kit Part No.	Metric Sizes	Bolt Torque Nm
1/2"	BKM-SFM-OSH-RFTM-34-050-HH	M8 x 40-HH	20 - 25
3/4"	BKM-SFM-OSH-RFTM-34-075-HH	M10 x 45-HH	55 - 68
1"	BKM-SFM-OSH-RFTM-34-100-HH	M10 x 45-HH	55 - 68
1 1/4"	BKM-SFM-OSH-RFTM-34-125-HH	M10 x 45-HH	55 - 68
1 1/2"	BKM-SFM-OSH-RFTM-34-150-HH	M12 x 50-HH	76 - 83
2"	BKM-SFM-OSH-RFTM-34-200-HH	M12 x 50-HH	110 - 125
2 1/2"	BKM-SFM-OSH-RFTM-34-250-HH	M12 x 60-HH	110 - 125
3"	BKM-SFM-OSH-RFTM-34-300-HH	M16 x 65-HH	150 - 165

## ISO 6162-2 - 4-Bolt Flange Connection

Size	Bolt Kit Part No.	Metric Sizes	Bolt Torque Nm
1/2"	BKM-SFM-OSH-RFTM-64-050-HH	M8 x 40-HH	20 - 25
3/4"	BKM-SFM-OSH-RFTM-64-075-HH	M10 x 50-HH	55 - 68
1"	BKM-SFM-OSH-RFTM-64-100-HH	M12 x 60-HH	110 - 125
1 1/4"	BKM-SFM-OSH-RFTM-64-125-HH	M12 x 65-HH	110 - 125
1 1/2"	BKM-SFM-OSH-RFTM-64-150-HH	M16 x 70-HH	150 - 165
2"	BKM-SFM-OSH-RFTM-64-200-HH	M20 x 80-HH	165 - 175



# Bolt Kits - Low Pressure Retain Ring Flange - Metric Union Style



## TMI® 6-Bolt - Flange Connection

Size	Bolt Kit Part No.	Metric Sizes	Bolt Torque Nm
2 1/2"	BKM-RFC-RFC-16-250-N-SC	M12 x 65-N-SC	110 - 125
3"	BKM-RFC-RFC-16-300-N-SC	M16 x 80-N-SC	150 - 165
4"	BKM-RFC-RFC-16-400-N-SC	M16 x 80-N-SC	150 - 165
5"	BKM-RFC-RFC-16-500-N-SC	M16 x 90-N-SC	150 - 165
6"	BKM-RFC-RFC-16-600-N-SC	M16 x 100-N-SC	150 - 165

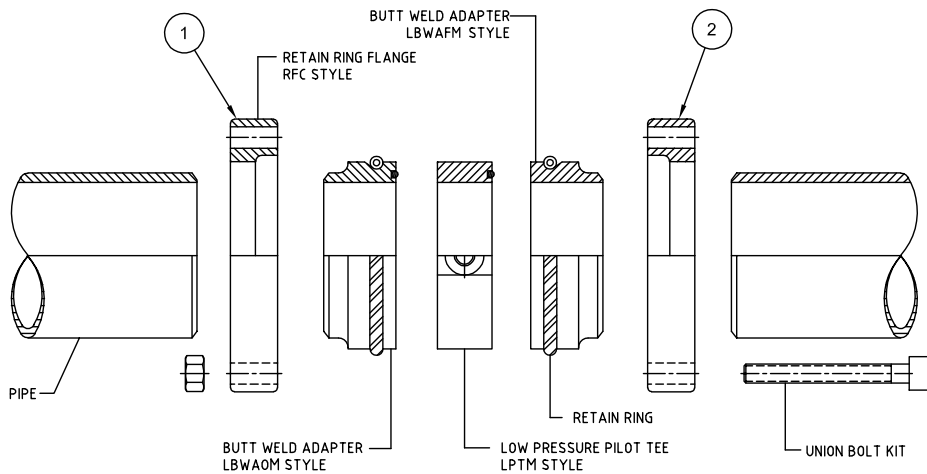
## TMI® 8-Bolt - Flange Connection

Size	Bolt Kit Part No.	Metric Sizes	Bolt Torque Nm
8"	BKM-RFC-RFC-18-800-N-SC	M20 x 120-N-SC	165 - 175



# Bolt Kits - Low Pressure Retain Ring Flange - Metric

Union Style with Pilot Tee



## TMI® 6-Bolt - Flange Connection

Size	Bolt Kit Part No.	Metric Sizes	Bolt Torque Nm
2 1/2"	BKM-RFC-LPTM-RFC-16-250-N-SC	M12 x 90-N-SC	110 - 125
3"	BKM-RFC-LPTM-RFC-16-300-N-SC	M16 x 100-N-SC	150 - 165
4"	BKM-RFC-LPTM-RFC-16-400-N-SC	M16 x 100-N-SC	150 - 165
5"	BKM-RFC-LPTM-RFC-16-500-N-SC	M16 x 120-N-SC	150 - 165
6"	BKM-RFC-LPTM-RFC-16-600-N-SC	M16 x 130-N-SC	150 - 165

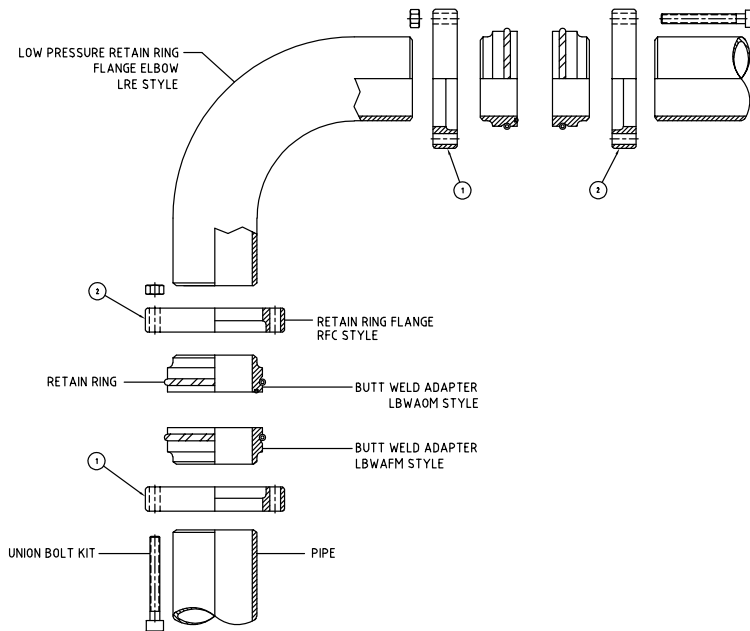
## TMI® 8-Bolt - Flange Connection

Size	Bolt Kit Part No.	Metric Sizes	Bolt Torque Nm
8"	BKM-RFC-LPTM-RFC-18-800-N-SC	M20 x 140-N-SC	165 - 175



# Bolt Kits - Low Pressure Retain Ring Flange - Metric

## Pipe to Retain Ring Component



### TMI® 6-Bolt - Flange Connection

Size	Bolt Kit Part No.	Metric Sizes	Bolt Torque Nm
2 1/2"	BKM-RFC-RFC-16-250-N-SC	M12 x 60-N-SC	110 - 125
3"	BKM-RFC-RFC-16-300-N-SC	M16 x 80-N-SC	150 - 165
4"	BKM-RFC-RFC-16-400-N-SC	M16 x 80-N-SC	150 - 165
5"	BKM-RFC-RFC-16-500-N-SC	M16 x 90-N-SC	150 - 165
6"	BKM-RFC-RFC-16-600-N-SC	M16 x 100-N-SC	150 - 165

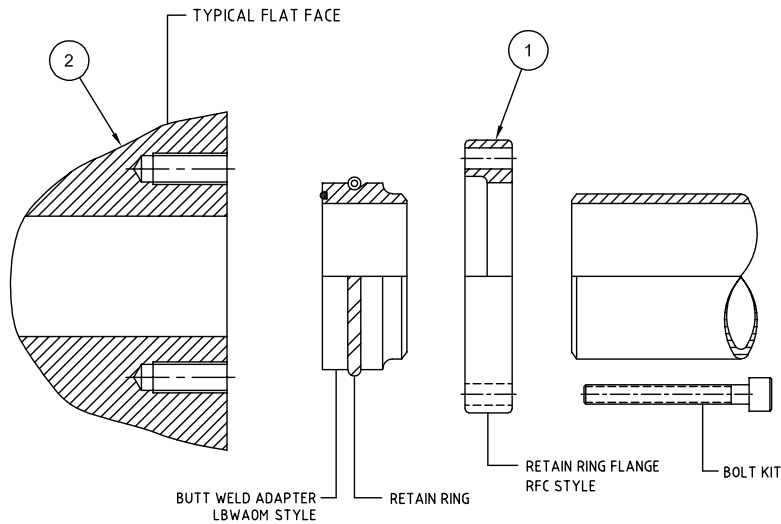
### TMI® 8-Bolt - Flange Connection

Size	Bolt Kit Part No.	Metric Sizes	Bolt Torque Nm
8"	BKM-RFC-RFC-18-800-N-SC	M20 x 120-N-SC	165 - 175



# Bolt Kits - Low Pressure Retain Ring Flange - Metric

'O' Ring Face to Flat Face Component



## TMI® 6-Bolt - Flange Connection

Size	Bolt Kit Part No.	Metric Sizes	Bolt Torque Nm
2 1/2"	BKM-RFC-COMP-16-250-SC	M12 x 60-N-SC	110 - 125
3"	BKM-RFC-COMP-16-300-SC	M16 x 50-N-SC	150 - 165
4"	BKM-RFC-COMP-16-400-SC	M16 x 50-N-SC	150 - 165
5"	BKM-RFC-COMP-16-500-SC	M16 x 60-N-SC	150 - 165
6"	BKM-RFC-COMP-16-600-SC	M16 x 65-N-SC	150 - 165

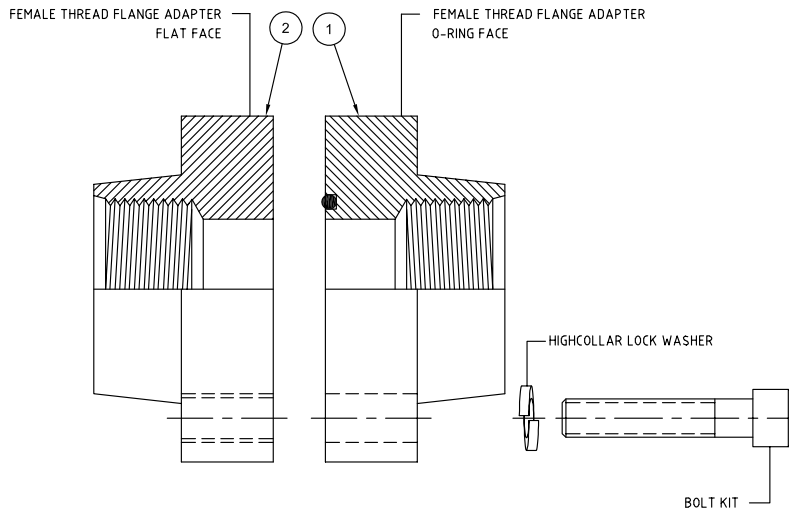
## TMI® 8-Bolt - Flange Connection

Size	Bolt Kit Part No.	Metric Sizes	Bolt Torque Nm
8"	BKM-RFC-COMP-18-800-SC	M20 x 75-N-SC	165 - 175



# Bolt Kits - Female Thread Flange - Metric

'O' Ring Face to Flat Face



## ISO 6162-1 - 4-Bolt Flange Connection

Size	Bolt Kit Part No. Female NPT Thread	Bolt Kit Part No.	Metric Sizes	Bolt Torque Nm
1/2"	BKM-NTFO-NTFF-34-050-SC-HLW	BKM-STFO-STFF-34-050-SC-HLW	M8 x 30-SC-HLW	20 - 25
3/4"	BKM-NTFO-NTFF-34-075-SC-HLW	BKM-STFO-STFF-34-075-SC-HLW	M10 x 40-SC-HLW	55 - 68
1"	BKM-NTFO-NTFF-34-100-SC-HLW	BKM-STFO-STFF-34-100-SC-HLW	M10 x 40-SC-HLW	55 - 68
1 1/4"	BKM-NTFO-NTFF-34-125-SC-HLW	BKM-STFO-STFF-34-125-SC-HLW	M10 x 45-SC-HLW	55 - 68
1 1/2"	BKM-NTFO-NTFF-34-150-SC-HLW	BKM-STFO-STFF-34-150-SC-HLW	M12 x 50-SC-HLW	110 - 125
2"	BKM-NTFO-NTFF-34-200-SC-HLW	BKM-STFO-STFF-34-200-SC-HLW	M12 x 50-SC-HLW	110 - 125
2 1/2"	BKM-NTFO-NTFF-34-250-SC-HLW	BKM-STFO-STFF-34-250-SC-HLW	M12 x 50-SC-HLW	110 - 125
3"	BKM-NTFO-NTFF-34-300-SC-HLW	BKM-STFO-STFF-34-300-SC-HLW	M16 x 50-SC-HLW	150 - 165

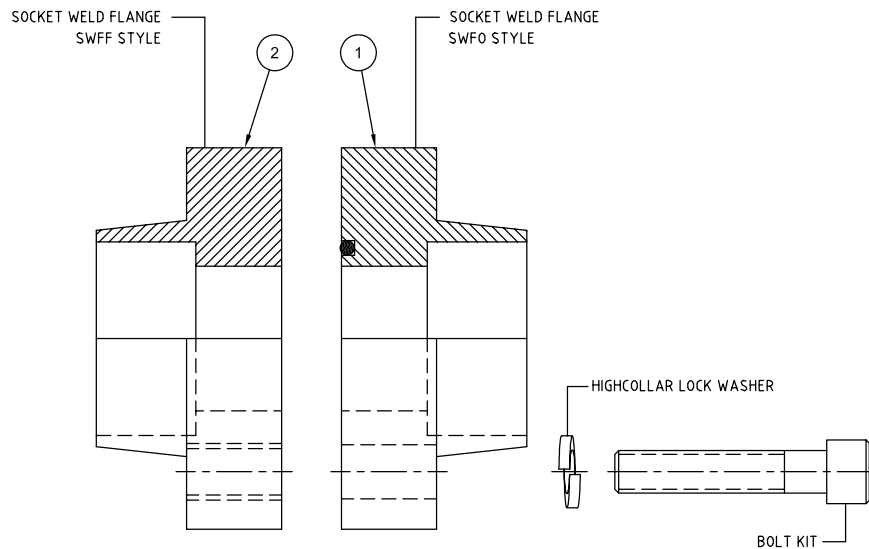
## ISO 6162-2 - 4-Bolt Flange Connection

Size	Bolt Kit Part No. Female NPT Thread	Bolt Kit Part No.	Metric Sizes	Bolt Torque Nm
1/2"	BKM-NTFO-NTFF-64-050-SC-HLW	BKM-STFO-STFF-64-050-SC-HLW	M8 x 30-SC-HLW	20 - 25
3/4"	BKM-NTFO-NTFF-64-075-SC-HLW	BKM-STFO-STFF-64-075-SC-HLW	M10 x 45-SC-HLW	55 - 68
1"	BKM-NTFO-NTFF-64-100-SC-HLW	BKM-STFO-STFF-64-100-SC-HLW	M12 x 50-SC-HLW	110 - 125
1 1/4"	BKM-NTFO-NTFF-64-125-SC-HLW	BKM-STFO-STFF-64-125-SC-HLW	M12 x 50-SC-HLW	110 - 125
1 1/2"	BKM-NTFO-NTFF-64-150-SC-HLW	BKM-STFO-STFF-64-150-SC-HLW	M16 x 65-SC-HLW	110 - 125
2"	BKM-NTFO-NTFF-64-200-SC-HLW	BKM-STFO-STFF-64-200-SC-HLW	M20 x 75-SC-HLW	165 - 175



# Bolt Kits - Socket Weld Flange - Metric

'O' Ring Face to Flat Face



## ISO 6162-1 - 4-Bolt Flange Connection

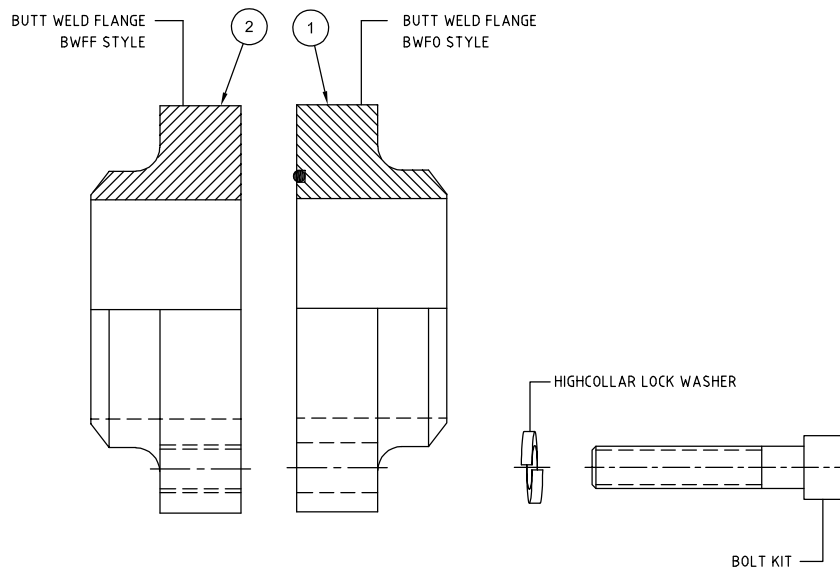
Size	Bolt Kit Part No.	Metric Sizes	Bolt Torque Nm
1/2"	BKM-SWFO-SWFF-34-050-SC-HLW	M8 x 30-SC-HLW	20 - 25
3/4"	BKM-SWFO-SWFF-34-075-SC-HLW	M10 x 40-SC-HLW	55 - 68
1"	BKM-SWFO-SWFF-34-100-SC-HLW	M10 x 40-SC-HLW	55 - 68
1 1/4"	BKM-SWFO-SWFF-34-125-SC-HLW	M10 x 45-SC-HLW	55 - 68
1 1/2"	BKM-SWFO-SWFF-34-150-SC-HLW	M12 x 50-SC-HLW	110 - 125
2"	BKM-SWFO-SWFF-34-200-SC-HLW	M12 x 50-SC-HLW	110 - 125
2 1/2"	BKM-SWFO-SWFF-34-250-SC-HLW	M12 x 50-SC-HLW	110 - 125
3"	BKM-SWFO-SWFF-34-300-SC-HLW	M16 x 50-SC-HLW	150 - 165
4"	BKM-SWFO-SWFF-34-400-SC-HLW	M16 x 50-SC-HLW	150 - 165

## ISO 6162-2 - 4-Bolt Flange Connection

Size	Bolt Kit Part No.	Metric Sizes	Bolt Torque Nm
1/2"	BKM-SWFO-SWFF-64-050-SC-HLW	M8 x 30-SC-HLW	20 - 25
3/4"	BKM-SWFO-SWFF-64-075-SC-HLW	M10 x 45-SC-HLW	55 - 68
1"	BKM-SWFO-SWFF-64-100-SC-HLW	M12 x 50-SC-HLW	110 - 125
1 1/4"	BKM-SWFO-SWFF-64-125-SC-HLW	M12 x 50-SC-HLW	110 - 125
1 1/2"	BKM-SWFO-SWFF-64-150-SC-HLW	M16 x 60-SC-HLW	150 - 165
2"	BKM-SWFO-SWFF-64-200-SC-HLW	M20 x 75-SC-HLW	165 - 175

# Bolt Kits - Butt Weld Flange - Metric

'O' Ring Face to Flat Face



## ISO 6162-1 - 4-Bolt Flange Connection

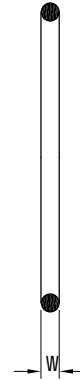
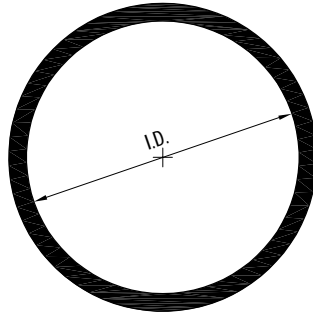
Size	Bolt Kit Part No.	Metric Sizes	Bolt Torque Nm
1/2"	BKM-BWFO-BWFF-34-050-SC-HLW	M8 x 30-SC-HLW	20 - 25
3/4"	BKM-BWFO-BWFF-34-075-SC-HLW	M10 x 40-SC-HLW	55 - 68
1"	BKM-BWFO-BWFF-34-100-SC-HLW	M10 x 40-SC-HLW	55 - 68
1 1/4"	BKM-BWFO-BWFF-34-125-SC-HLW	M10 x 45-SC-HLW	55 - 68
1 1/2"	BKM-BWFO-BWFF-34-150-SC-HLW	M12 x 50-SC-HLW	110 - 125
2"	BKM-BWFO-BWFF-34-200-SC-HLW	M12 x 50-SC-HLW	110 - 125
2 1/2"	BKM-BWFO-BWFF-34-250-SC-HLW	M12 x 50-SC-HLW	110 - 125
3"	BKM-BWFO-BWFF-34-300-SC-HLW	M16 x 50-SC-HLW	150 - 165

## ISO 6162-2 - 4-Bolt Flange Connection

Size	Bolt Kit Part No.	Metric Sizes	Bolt Torque Nm
1/2"	BKM-BWFO-BWFF-64-050-SC-HLW	M8 x 30-SC-HLW	20 - 25
3/4"	BKM-BWFO-BWFF-64-075-SC-HLW	M10 x 45-SC-HLW	55 - 68
1"	BKM-BWFO-BWFF-64-100-SC-HLW	M12 x 50-SC-HLW	110 - 125
1 1/4"	BKM-BWFO-BWFF-64-125-SC-HLW	M12 x 50-SC-HLW	110 - 125
1 1/2"	BKM-BWFO-BWFF-64-150-SC-HLW	M16 x 60-SC-HLW	150 - 165
2"	BKM-BWFO-BWFF-64-200-SC-HLW	M20 x 75-SC-HLW	165 - 175

# Elastomer Seals - Metric

## 'O' Ring



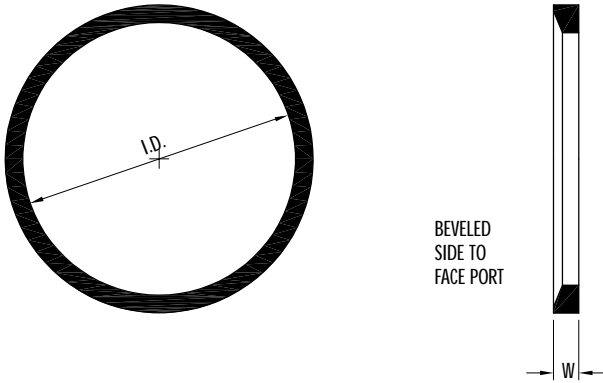
## OR 'O' Ring

'O' Ring (Nitrile) Part No.	'O' Ring (VITON) Part No.	Dimensions(mm) I.D. x W
OR-2-210	ORV-2-210	18.6 x 3.5
OR-2-214	ORV-2-214	25 x 3.5
OR-2-219	ORV-2-219	32.9 x 3.5
OR-2-222	ORV-2-222	37.7 x 3.5
OR-2-225	ORV-2-225	47.2 x 3.5
OR-2-228	ORV-2-228	56.7 x 3.5
OR-2-232	ORV-2-232	69.4 x 3.5
OR-2-237	ORV-2-237	85.3 x 3.5
OR-2-241	ORV-2-241	98 x .3.5
OR-2-243	ORV-2-243	104.4 x 3.5
OR-2-245	ORV-2-245	110.7 x 3.5
OR-2-253	ORV-2-253	136.1 x 3.5
OR-2-259	ORV-2-259	158.3 x 3.5
OR-2-353	ORV-2-353	126.4 x 5.3
OR-2-359	ORV-2-359	145.4 x 5.3
OR-2-368	ORV-2-368	196.2 x 5.3
OR-2-372	ORV-2-372	221.6 x 5.3
OR-3-906	ORV-3-906	11.9 x 2
OR-3-908	ORV-3-908	16.4 x 2.2
OR-3-909	ORV-3-909	17.9 x 2.5
OR-3-910	ORV-3-910	19.2 x 2.5
OR-3-912	ORV-3-912	23.5 x 3
OR-3-913	ORV-3-913	25 x 3
OR-3-916	ORV-3-916	30 x 3
OR-3-918	ORV-3-918	34.4 x 3
OR-3-920	ORV-3-920	37.5 x 3
OR-3-924	ORV-3-924	43.7 x 3
OR-3-928	ORV-3-928	53.1 x 3
OR-3-932	ORV-3-932	59.4 x 3

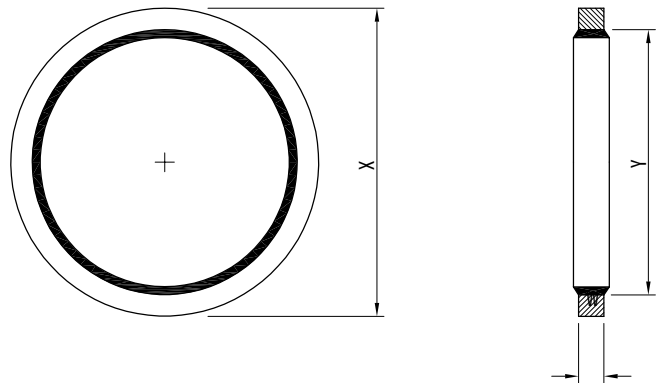
'O' Ring (Nitrile) Part No.	'O' Ring (VITON) Part No.	Dimensions(mm) I.D. x W
OR-1715	ORV-1715	17 x 1.5
OR-1915	ORV-1915	19 x 1.5
OR-2315	ORV-2315	23 x 1.5
OR-2515	ORV-2515	25 x 1.5
OR-2815	ORV-2815	28 x 1.5
OR-3015	ORV-3015	30 x 1.5
OR-3515	ORV-3515	35 x 1.5
OR-4515	ORV-4515	45 x 1.5
OR-5615	ORV-5615	56 x 1.5
OR-6715	ORV-6715	67 x 1.5
OR-8015	ORV-8015	80 x 1.5

# Elastomer Seals - Metric

'D' Ring



Bonded Seal



## DR 'D' Ring

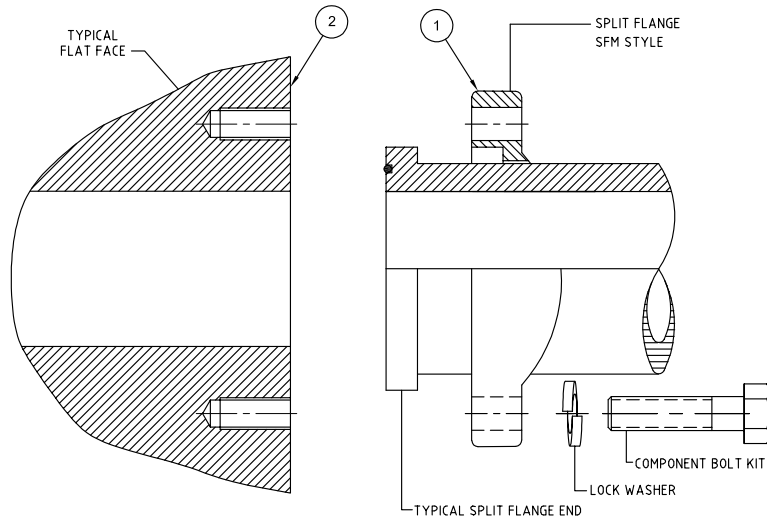
'D' Ring (Nitrile) Part No.	'D' Ring (VITON) Part No.	Dimensions(mm) I.D. x W
DR-G050	DRV-G050	18.5 x 1.5
DR-G075	DRV-G075	23.9 x 1.5
DR-G100	DRV-G100	29.7 x 2
DR-G125	DRV-G125	38.8 x 2
DR-G150	DRV-G150	44.7 x 2

## BS Bonded Seal

Bonded Seal (Nitrile) Part No.	Bonded Seal (VITON) Part No.	Dimensions (mm)		
		X	Y	W
BS-3236	BSV-3236	73	60.5	3.3

# Bolt Kits - SAE Split Flange - Metric

## Split Flange to Component



### ISO 6162-1 - 4-Bolt Flange Connection

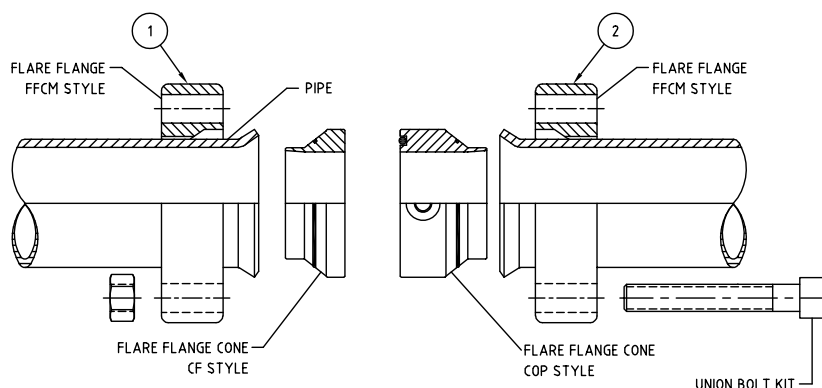
Size	Bolt Kit Part No.	Metric Sizes	Bolt Torque Nm
1/2"	BKM-SFM-COMP-34-050-HH-LW	M8 x 30-HH-HLW	20 - 25
3/4"	BKM-SFM-COMP-34-075-HH-LW	M10 x 30-HH-HLW	55 - 68
1"	BKM-SFM-COMP-34-100-HH-LW	M10 x 30-HH-HLW	55 - 68
1 1/4"	BKM-SFM-COMP-34-125-HH-LW	M10 x 40-HH-HLW	55 - 68
1 1/2"	BKM-SFM-COMP-34-150-HH-LW	M12 x 40-HH-HLW	110 - 125
2"	BKM-SFM-COMP-34-200-HH-LW	M12 x 40-HH-HLW	110 - 125
2 1/2"	BKM-SFM-COMP-34-250-HH-LW	M12 x 45-HH-HLW	110 - 125
3"	BKM-SFM-COMP-34-300-HH-LW	M16 x 45-HH-HLW	150 - 165

### ISO 6162-2 - 4-Bolt Flange Connection

Size	Bolt Kit Part No.	Metric Sizes	Bolt Torque Nm
1/2"	BKM-SFM-COMP-64-050-HH-LW	M8 x 40-HH-HLW	20 - 25
3/4"	BKM-SFM-COMP-64-075-HH-LW	M10 x 40-HH-HLW	55 - 68
1"	BKM-SFM-COMP-64-100-HH-LW	M12 x 45-HH-HLW	110 - 125
1 1/4"	BKM-SFM-COMP-64-125-HH-LW	M12 x 45-HH-HLW	110 - 125
1 1/2"	BKM-SFM-COMP-64-150-HH-LW	M16 x 55-HH-HLW	150 - 165
2"	BKM-SFM-COMP-64-200-HH-LW	M20 x 70-HH-HLW	165 - 175

# Bolt Kits - Flare Flange with Pilot Port Connection - Metric

## Union Style - 'O' Ring Face Cone with Pilot Port



### ISO 6162-1 - 4-Bolt Flange Connection

Size	Bolt Kit Part No.	Metric Sizes	Bolt Torque Nm
1/2"	BKM-FFCM-COP-FFCM-34-050-N-SC	M8 x 80-N-SC	20 - 25
3/4"	BKM-FFCM-COP-FFCM-34-075-N-SC	M10 x 90-N-SC	55 - 68
1"	BKM-FFCM-COP-FFCM-34-100-N-SC	M10 x 90-N-SC	55 - 68
1 1/4"	BKM-FFCM-COP-FFCM-34-125-N-SC	M10 x 90-N-SC	55 - 68
1 1/2"	BKM-FFCM-COP-FFCM-34-150-N-SC	M12 x 100-N-SC	76 - 83
2"	BKM-FFCM-COP-FFCM-34-200-N-SC	M12 x 120-N-SC	110 - 125
2 1/2"	BKM-FFCM-COP-FFCM-34-250-N-SC	M12 x 130-N-SC	110 - 125
3"	BKM-FFCM-COP-FFCM-34-300-N-SC	M16 x 140-N-SC	150 - 165

### ISO 6162-2 - 4-Bolt Flange Connection

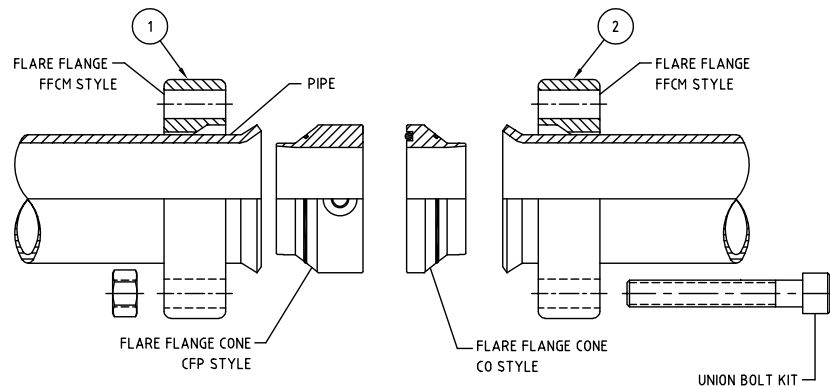
Size	Bolt Kit Part No.	Metric Sizes	Bolt Torque Nm
1/2"	BKM-FFCM-COP-FFCM-64-050-N-SC	M8 x 80-N-SC	20 - 25
3/4"	BKM-FFCM-COP-FFCM-64-075-N-SC	M10 x 100-N-SC	55 - 68
1"	BKM-FFCM-COP-FFCM-64-100-N-SC	M12 x 100-N-SC	110 - 125
1 1/4"	BKM-FFCM-COP-FFCM-64-125-N-SC	M12 x 120-N-SC	110 - 125
1 1/2"	BKM-FFCM-COP-FFCM-64-150-N-SC	M16 x 130-N-SC	150 - 165
2"	BKM-FFCM-COP-FFCM-64-200-N-SC	M20 x 140-N-SC	165 - 175

### ISO 6164 - 4-Bolt Flange Connection

Size	Bolt Kit Part No.	Metric Sizes	Bolt Torque Nm
2 1/2"	BKM-FFCM-COP-FFCM-74-250-N-SC	M20 x 140-N-SC	165 - 175
3"	BKM-FFCM-COP-FFCM-74-300-N-HH	M24 x 150-N-HH	475 - 550

# Bolt Kits - Flare Flange with Pilot Port Connection - Metric

## Union Style - Flat Face Cone with Pilot Port



### ISO 6162-1 - 4-Bolt Flange Connection

Size	Bolt Kit Part No.	Metric Sizes	Bolt Torque Nm
1/2"	BKM-FFCM-CFP-FFCM-34-050-N-SC	M8 x 80-N-SC	20 - 25
3/4"	BKM-FFCM-CFP-FFCM-34-075-N-SC	M10 x 90-N-SC	55 - 68
1"	BKM-FFCM-CFP-FFCM-34-100-N-SC	M10 x 90-N-SC	55 - 68
1 1/4"	BKM-FFCM-CFP-FFCM-34-125-N-SC	M10 x 90-N-SC	55 - 68
1 1/2"	BKM-FFCM-CFP-FFCM-34-150-N-SC	M12 x 100-N-SC	76 - 83
2"	BKM-FFCM-CFP-FFCM-34-200-N-SC	M12 x 120-N-SC	110 - 125
2 1/2"	BKM-FFCM-CFP-FFCM-34-250-N-SC	M12 x 130-N-SC	110 - 125
3"	BKM-FFCM-CFP-FFCM-34-300-N-SC	M12 x 140-N-SC	150 - 165

### ISO 6162-2 - 4-Bolt Flange Connection

Size	Bolt Kit Part No.	Metric Sizes	Bolt Torque Nm
1/2"	BKM-FFCM-CFP-FFCM-64-050-N-SC	M8 x 80-N-SC	20 - 25
3/4"	BKM-FFCM-CFP-FFCM-64-075-N-SC	M10 x 100-N-SC	55 - 68
1"	BKM-FFCM-CFP-FFCM-64-100-N-SC	M12 x 100-N-SC	110 - 125
1 1/4"	BKM-FFCM-CFP-FFCM-64-125-N-SC	M12 x 120-N-SC	110 - 125
1 1/2"	BKM-FFCM-CFP-FFCM-64-150-N-SC	M16 x 130-N-SC	150 - 165
2"	BKM-FFCM-CFP-FFCM-64-200-N-SC	M20 x 140-N-SC	165 - 175

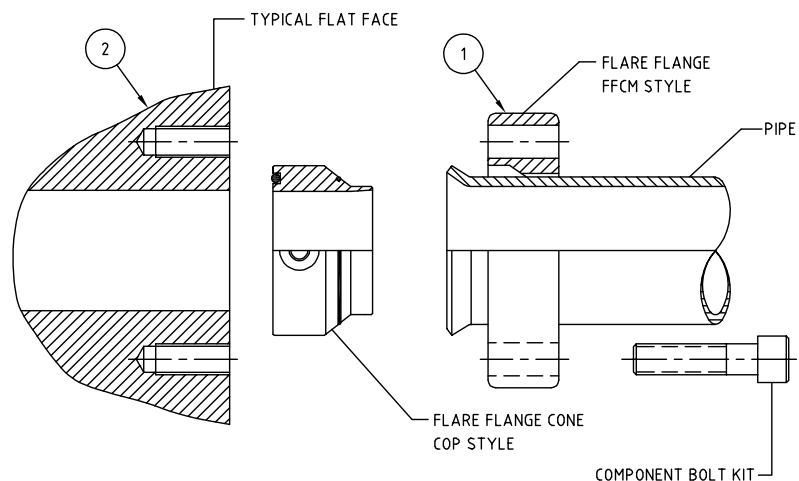
### ISO 6164 - 4-Bolt Flange Connection

Size	Bolt Kit Part No.	Metric Sizes	Bolt Torque Nm
2 1/2"	BKM-FFCM-CFP-FFCM-74-250-N-SC	M20 x 140-N-SC	165 - 175
3"	BKM-FFCM-CFP-FFCM-74-300-N-HH	M24 x 150-N-HH	475 - 550



# Bolt Kits - Flare Flange with Pilot Port Connection - Metric

Flare Flange to Flat Face Component



## ISO 6162-1 - 4-Bolt Flange Connection

Size	Bolt Kit Part No.	Metric Sizes	Bolt Torque Nm
1/2"	BKM-FFCM-COP-COMP-34-050-SC	M8 x 65-SC	20 - 25
3/4"	BKM-FFCM-COP-COMP-34-075-SC	M10 x 65-SC	55 - 68
1"	BKM-FFCM-COP-COMP-34-100-SC	M10 x 65-SC	55 - 68
1 1/4"	BKM-FFCM-COP-COMP-34-125-SC	M10 x 70-SC	55 - 68
1 1/2"	BKM-FFCM-COP-COMP-34-150-SC	M12 x 75-SC	76 - 83
2"	BKM-FFCM-COP-COMP-34-200-SC	M12 x 75-SC	110 - 125
2 1/2"	BKM-FFCM-COP-COMP-34-250-SC	M12 x 90-SC	110 - 125
3"	BKM-FFCM-COP-COMP-34-300-SC	M16 x 90-SC	150 - 165

## ISO 6162-2 - 4-Bolt Flange Connection

Size	Bolt Kit Part No.	Metric Sizes	Bolt Torque Nm
1/2"	BKM-FFCM-COP-COMP-64-050-SC	M8 x 65-SC	20 - 25
3/4"	BKM-FFCM-COP-COMP-64-075-SC	M10 x 70-SC	55 - 68
1"	BKM-FFCM-COP-COMP-64-100-SC	M12 x 70-SC	110 - 125
1 1/4"	BKM-FFCM-COP-COMP-64-125-SC	M12 x 75-SC	110 - 125
1 1/2"	BKM-FFCM-COP-COMP-64-150-SC	M16 x 90-SC	150 - 165
2"	BKM-FFCM-COP-COMP-64-200-SC	M20 x 90-SC	165 - 175

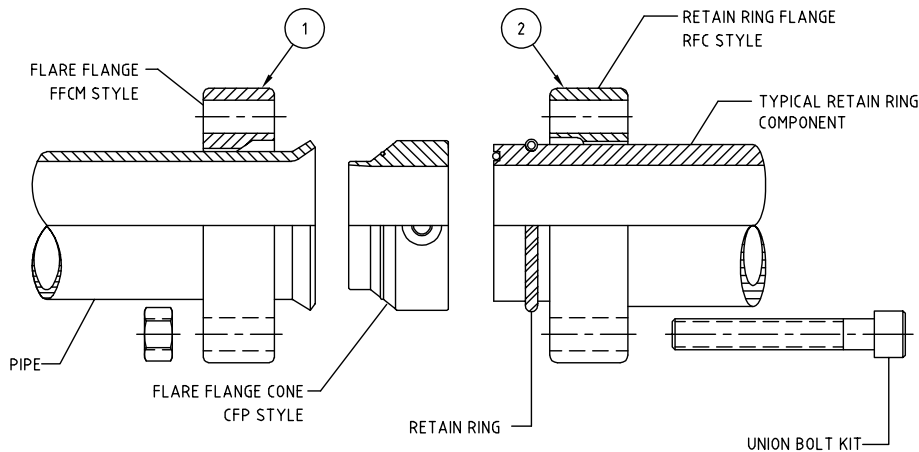
## ISO 6164 - 4-Bolt Flange Connection

Size	Bolt Kit Part No.	Metric Sizes	Bolt Torque Nm
2 1/2"	BKM-FFCM-COP-COMP-74-250-SC	M20 x 100-SC	165 - 175
3"	BKM-FFCM-COP-COMP-74-300-HH	M24 x 155-HH	475 - 550



# Bolt Kits - Flare Flange with Pilot Port Connection - Metric

## Flare Flange to Retain Ring Component



### ISO 6162-1 - 4-Bolt Flange Connection

Size	Bolt Kit Part No.	Metric Sizes	Bolt Torque Nm
1/2"	BKM-FFCM-CFP-RFC-34-050-N-SC	M8 x 80-N-SC	20 - 25
3/4"	BKM-FFCM-CFP-RFC-34-075-N-SC	M10 x 90-N-SC	55 - 68
1"	BKM-FFCM-CFP-RFC-34-100-N-SC	M10 x 90-N-SC	55 - 68
1 1/4"	BKM-FFCM-CFP-RFC-34-125-N-SC	M10 x 90-N-SC	55 - 68
1 1/2"	BKM-FFCM-CFP-RFC-34-150-N-SC	M12 x 100-N-SC	76 - 83
2"	BKM-FFCM-CFP-RFC-34-200-N-SC	M12 x 120-N-SC	110 - 125
2 1/2"	BKM-FFCM-CFP-RFC-34-250-N-SC	M12 x 130-N-SC	110 - 125
3"	BKM-FFCM-CFP-RFC-34-300-N-SC	M16 x 140-N-SC	150 - 165

### ISO 6162-2 - 4-Bolt Flange Connection

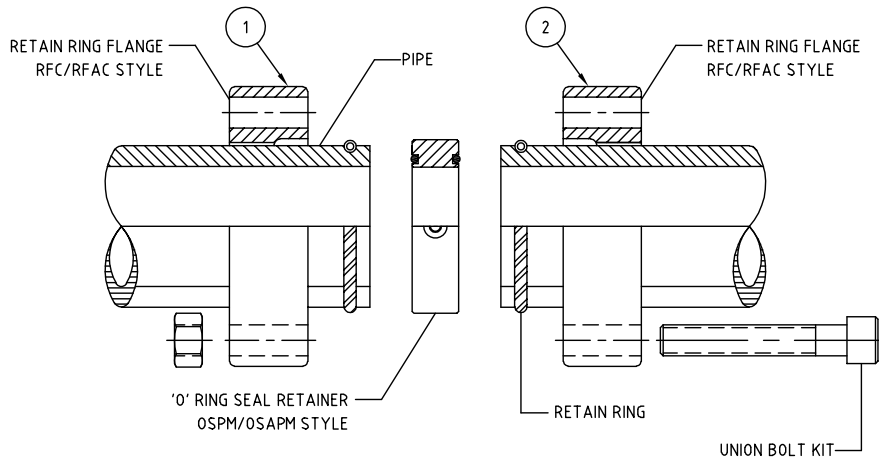
Size	Bolt Kit Part No.	Metric Sizes	Bolt Torque Nm
1/2"	BKM-FFCM-CFP-RFC-64-050-N-SC	M8 x 80-N-SC	20 - 25
3/4"	BKM-FFCM-CFP-RFC-64-075-N-SC	M10 x 100-N-SC	55 - 68
1"	BKM-FFCM-CFP-RFC-64-100-N-SC	M12 x 100-N-SC	110 - 125
1 1/4"	BKM-FFCM-CFP-RFC-64-125-N-SC	M12 x 120-N-SC	110 - 125
1 1/2"	BKM-FFCM-CFP-RFC-64-150-N-SC	M16 x 130-N-SC	150 - 165
2"	BKM-FFCM-CFP-RFC-64-200-N-SC	M20 x 140-N-SC	165 - 175

### ISO 6164 - 4-Bolt Flange Connection

Size	Bolt Kit Part No.	Bolt Size Minimum Grade 5	Bolt Torque ft.lbs.
2 1/2"	BKM-FFCM-CFP-RFC-74-250-N-SC	M20 x 140-N-SC	165 - 175
3"	BKM-FFCM-CFP-RFC-74-300-N-HH	M24 x 150-N-HH	475 - 550



# Bolt Kits - Retain Ring Flange with Pilot Port Connection - Metric Pipe Union



## ISO 6162-1 - 4-Bolt Flange Connection

Size	Bolt Kit Part No.	Metric Sizes	Bolt Torque Nm
1 1/2"	BKM-RFC-OSPM-RFC-34-150-N-SC	M12 x 100-N-SC	76 - 83
2"	BKM-RFC-OSPM-RFC-34-200-N-SC	M12 x 120-N-SC	110 - 125
2 1/2"	BKM-RFC-OSPM-RFC-34-250-N-SC	M12 x 120-N-SC	110 - 125
3"	BKM-RFC-OSPM-RFC-34-300-N-SC	M16 x 140-N-SC	150 - 165

## ISO 6162-2 - 4-Bolt Flange Connection

Size	Bolt Kit Part No.	Metric Sizes	Bolt Torque Nm
1 1/2"	BKM-RFC-OSPM-RFC-64-150-N-SC	M16 x 130-N-SC	150 - 165
2"	BKM-RFC-OSPM-RFC-64-200-N-SC	M20 x 140-N-SC	165 - 175

## ISO 6164 - 4-Bolt Flange Connection

Size	Bolt Kit Part No.	Metric Sizes	Bolt Torque Nm
2 1/2"	BKM-RFC-OSPM-RFC-74-250-N-SC	M20 x 130-N-SC	165 - 175
3"	BKM-RFC-OSPM-RFC-74-300-N-HH	M24 x 150-N-HH	475 - 550
4"	BKM-RFC-OSPM-RFC-74-400-N-N	M30 x 200-N-N	665 - 730

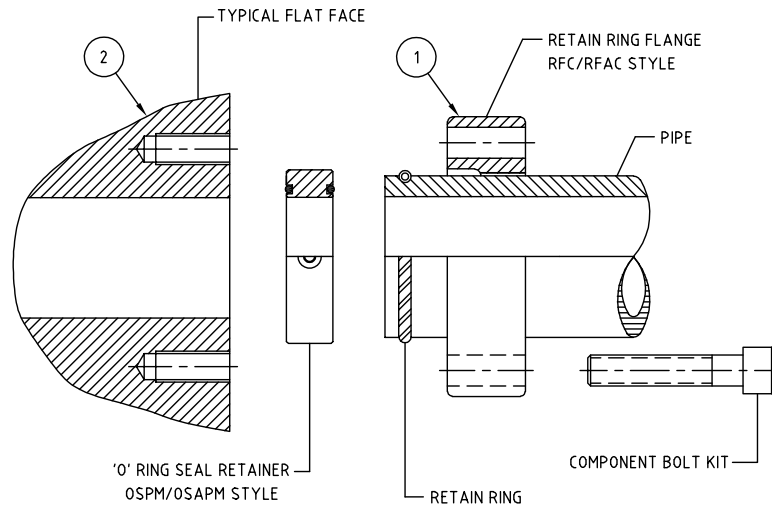
## TMI® 8-Bolt - Flange Connection

Size	Bolt Kit Part No.	Metric Sizes	Bolt Torque Nm
5"	BKM-RFAC-OSAPM-RFAC-48-500-N-HH	M24 x 160-N-HH	475 - 550
6"	BKM-RFAC-OSAPM-RFAC-48-600-N-N	M30 x 250-N-N	665 - 730
8"	BKM-RFAC-OSAPM-RFAC-48-800-N-N	M36 x 300-N-N	1460 - 1595



# Bolt Kits - Retain Ring Flange with Pilot Port Connection - Metric

## Pipe to Flat Face Component



### ISO 6162-1 - 4-Bolt Flange Connection

Size	Bolt Kit Part No.	Metric Sizes	Bolt Torque Nm
1 1/2"	BKM-RFC-OSPM-COMP-34-150-SC	M12 x 80-SC	76 - 83
2"	BKM-RFC-OSPM-COMP-34-200-SC	M12 x 90-SC	110 - 125
2 1/2"	BKM-RFC-OSPM-COMP-34-250-SC	M12 x 90-SC	110 - 125
3"	BKM-RFC-OSPM-COMP-34-300-SC	M16 x 100-SC	150 - 165

### ISO 6162-2 - 4-Bolt Flange Connection

Size	Bolt Kit Part No.	Metric Sizes	Bolt Torque Nm
1 1/2"	BKM-RFC-OSPM-COMP-64-150-SC	M16 x 90-SC	150 - 165
2"	BKM-RFC-OSPM-COMP-64-200-SC	M20 x 100-SC	165 - 175

### ISO 6164 - 4-Bolt Flange Connection

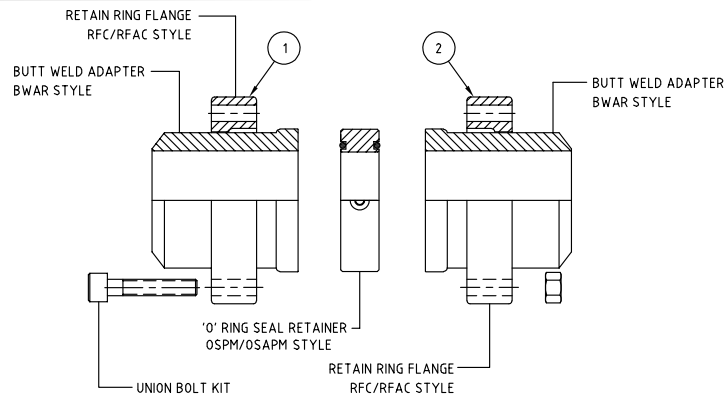
Size	Bolt Kit Part No.	Metric Sizes	Bolt Torque Nm
2 1/2"	BKM-RFC-OSPM-COMP-74-250-SC	M20 x 100-SC	165 - 175
3"	BKM-RFC-OSPM-COMP-74-300-HH	M24 x 115-HH	475 - 550
4"	BKM-RFC-OSPM-COMP-74-400-HH	M30 x 125-HH	665 - 730

### TMI® 8-Bolt - Flange Connection

Size	Bolt Kit Part No.	Metric Sizes	Bolt Torque Nm
5"	BKM-RFAC-OSAPM-COMP-48-500-HH	M24 x 130-HH	475 - 550
6"	BKM-RFAC-OSAPM-COMP-48-600-HH	M30 x 130-HH	665 - 730
8"	BKM-RFAC-OSAPM-COMP-48-800-HH	M36 x 165-HH	1460 - 1595



# Bolt Kits - Retain Ring Flange with Pilot Port Connection - Metric Butt Weld Adapter Union



## ISO 6162-1 - 4-Bolt Flange Connection

Size	Bolt Kit Part No.	Metric Sizes	Bolt Torque Nm
1/2"	BKM-RFC-OSPM-RFC-34-050-N-SC	M8 x 80-N-SC	20 - 25
3/4"	BKM-RFC-OSPM-RFC-34-075-N-SC	M10 x 90-N-SC	55 - 68
1"	BKM-RFC-OSPM-RFC-34-100-N-SC	M10 x 90-N-SC	55 - 68
1 1/4"	BKM-RFC-OSPM-RFC-34-125-N-SC	M10 x 90-N-SC	55 - 68
1 1/2"	BKM-RFC-OSPM-RFC-34-150-N-SC	M12 x 100-N-SC	76 - 83
2"	BKM-RFC-OSPM-RFC-34-200-N-SC	M12 x 120-N-SC	110 - 125
2 1/2"	BKM-RFC-OSPM-RFC-34-250-N-SC	M12 x 120-N-SC	110 - 125
3"	BKM-RFC-OSPM-RFC-34-300-N-SC	M16 x 140-N-SC	150 - 165

## ISO 6162-2 - 4-Bolt Flange Connection

Size	Bolt Kit Part No.	Metric Sizes	Bolt Torque Nm
1/2"	BKM-RFC-OSPM-RFC-64-050-N-SC	M8 x 80-N-SC	20 - 25
3/4"	BKM-RFC-OSPM-RFC-64-075-N-SC	M10 x 100-N-SC	55 - 68
1"	BKM-RFC-OSPM-RFC-64-100-N-SC	M12 x 100-N-SC	110 - 125
1 1/4"	BKM-RFC-OSPM-RFC-64-125-N-SC	M12 x 120-N-SC	110 - 125
1 1/2"	BKM-RFC-OSPM-RFC-64-150-N-SC	M16 x 130-N-SC	150 - 165
2"	BKM-RFC-OSPM-RFC-64-200-N-SC	M20 x 140-N-SC	165 - 175

## ISO 6164 - 4-Bolt Flange Connection

Size	Bolt Kit Part No.	Metric Sizes	Bolt Torque Nm
2 1/2"	BKM-RFC-OSPM-RFC-74-250-N-SC	M20 x 130-N-SC	165 - 175
3"	BKM-RFC-OSPM-RFC-74-300-N-HH	M24 x 150-N-HH	475 - 550
4"	BKM-RFC-OSPM-RFC-74-400-N-HH	M30 x 200-N-HH	665 - 730

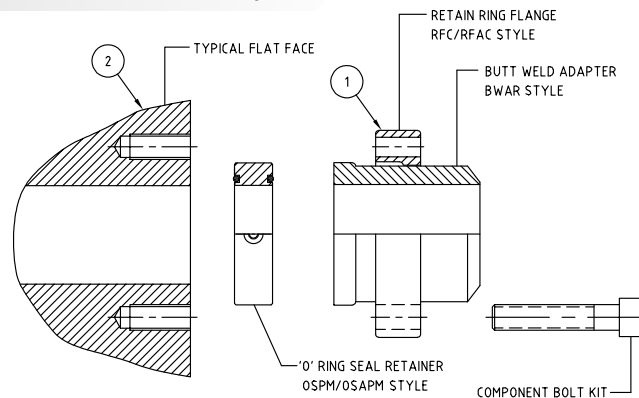
## TMI® 8-Bolt - Flange Connection

Size	Bolt Kit Part No.	Metric Sizes	Bolt Torque Nm
5"	BKM-RFAC-OSAPM-RFAC-48-500-N-HH	M24 x 160-N-HH	475 - 550
6"	BKM-RFAC-OSAPM-RFAC-48-600-N-N	M30 x 255-N-N	665 - 730
8"	BKM-RFAC-OSAPM-RFAC-48-800-N-N	M36 x 305-N-N	1460 - 1595



# Bolt Kits - Retain Ring Flange with Pilot Port Connection - Metric

## Butt Weld Adapter to Flat Face Component



### ISO 6162-1 - 4-Bolt Flange Connection

Size	Bolt Kit Part No.	Metric Sizes	Bolt Torque Nm
1/2"	BKM-RFC-OSPM-COMP-34-050-SC	M8 x 70-SC	20 - 25
3/4"	BKM-RFC-OSPM-COMP-34-075-SC	M10 x 70-SC	55 - 68
1"	BKM-RFC-OSPM-COMP-34-100-SC	M10 x 70-SC	55 - 68
1 1/4"	BKM-RFC-OSPM-COMP-34-125-SC	M10 x 80-SC	55 - 68
1 1/2"	BKM-RFC-OSPM-COMP-34-150-SC	M12 x 80-SC	76 - 83
2"	BKM-RFC-OSPM-COMP-34-200-SC	M12 x 90-SC	110 - 125
2 1/2"	BKM-RFC-OSPM-COMP-34-250-SC	M12 x 90-SC	110 - 125
3"	BKM-RFC-OSPM-COMP-34-300-SC	M16 x 100-SC	150 - 165

### ISO 6162-2 - 4-Bolt Flange Connection

Size	Bolt Kit Part No.	Metric Sizes	Bolt Torque Nm
1/2"	BKM-RFC-OSPM-COMP-64-050-SC	M8 x 70-SC	20 - 25
3/4"	BKM-RFC-OSPM-COMP-64-075-SC	M10 x 80-SC	55 - 68
1"	BKM-RFC-OSPM-COMP-64-100-SC	M12 x 80-SC	110 - 125
1 1/4"	BKM-RFC-OSPM-COMP-64-125-SC	M12 x 90-SC	110 - 125
1 1/2"	BKM-RFC-OSPM-COMP-64-150-SC	M16 x 100-SC	150 - 165
2"	BKM-RFC-OSPM-COMP-64-200-SC	M20 x 120-SC	165 - 175

### ISO 6164 - 4-Bolt Flange Connection

Size	Bolt Kit Part No.	Metric Sizes	Bolt Torque Nm
2 1/2"	BKM-RFC-OSPM-COMP-74-250-SC	M20 x 100-SC	165 - 175
3"	BKM-RFC-OSPM-COMP-74-300-HH	M24 x 115-HH	475 - 550
4"	BKM-RFC-OSPM-COMP-74-400-HH	M30 x 130-HH	665 - 730

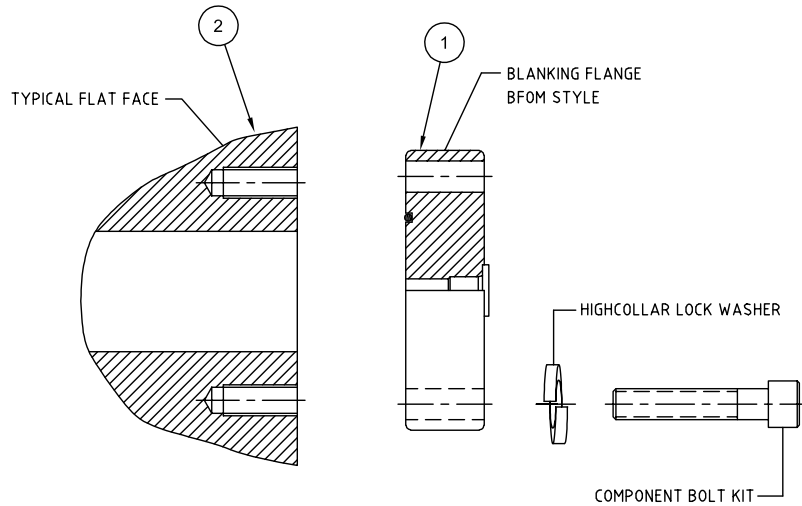
### TMI® 8-Bolt - Flange Connection

Size	Bolt Kit Part No.	Metric Sizes	Bolt Torque Nm
5"	BKM-RFAC-OSAPM-COMP-48-500-HH	M24 x 130-HH	475 - 550
6"	BKM-RFAC-OSAPM-COMP-48-600-HH	M30 x 130-HH	665 - 730
8"	BKM-RFAC-OSAPM-COMP-48-800-HH	M36 x 165-HH	1460 - 1595



# Bolt Kits - Blanking Flange to Flat Face Component - Metric

ISO 6162-1, ISO 6162-2, ISO 6164



## ISO 6162-1 - 4-Bolt Flange Connection

Size	Bolt Kit Part No.	Metric Sizes	Bolt Torque Nm
1/2"	BKM-BFOM-COMP-34-050-SC-HLW	M8 x 30-SC-HLW	20 - 25
3/4"	BKM-BFOM-COMP-34-075-SC-HLW	M10 x 40-SC-HLW	55 - 68
1"	BKM-BFOM-COMP-34-100-SC-HLW	M10 x 40-SC-HLW	55 - 68
1 1/4"	BKM-BFOM-COMP-34-125-SC-HLW	M10 x 45-SC-HLW	55 - 68
1 1/2"	BKM-BFOM-COMP-34-150-SC-HLW	M12 x 50-SC-HLW	76 - 83
2"	BKM-BFOM-COMP-34-200-SC-HLW	M12 x 50-SC-HLW	110 - 125
2 1/2"	BKM-BFOM-COMP-34-250-SC-HLW	M12 x 60-SC-HLW	110 - 125
3"	BKM-BFOM-COMP-34-300-SC-HLW	M16 x 70-SC-HLW	150 - 165
4"	BKM-BFOM-COMP-34-400-SC-HLW	M16 x 70-SC-HLW	150 - 165

## ISO 6162-2 - 4-Bolt Flange Connection

Size	Bolt Kit Part No.	Metric Sizes	Bolt Torque Nm
1/2"	BKM-BFOM-COMP-64-050-SC-HLW	M8 x 30-SC-HLW	20 - 25
3/4"	BKM-BFOM-COMP-64-075-SC-HLW	M10 x 45-SC-HLW	55 - 68
1"	BKM-BFOM-COMP-64-100-SC-HLW	M12 x 45-SC-HLW	110 - 125
1 1/4"	BKM-BFOM-COMP-64-125-SC-HLW	M12 x 50-SC-HLW	110 - 125
1 1/2"	BKM-BFOM-COMP-64-150-SC-HLW	M16 x 65-SC-HLW	150 - 165
2"	BKM-BFOM-COMP-64-200-SC-HLW	M20 x 75-SC-HLW	165 - 175

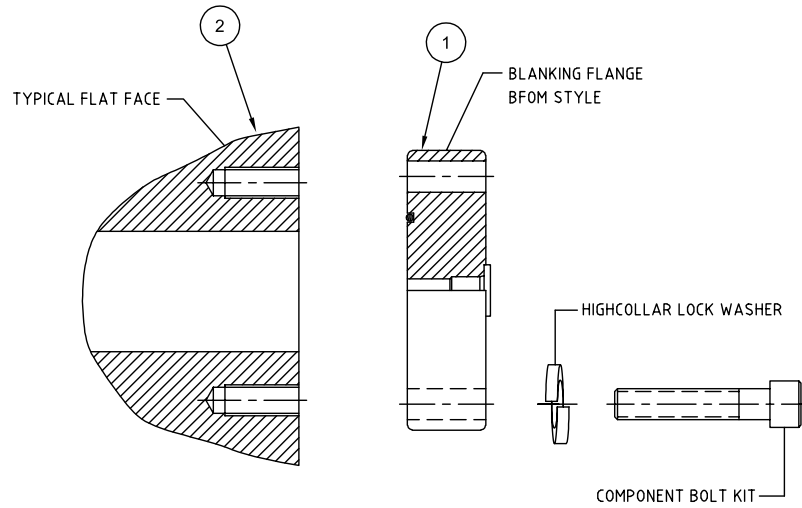
## ISO 6164 - 4-Bolt Flange Connection

Size	Bolt Kit Part No.	Metric Sizes	Bolt Torque Nm
2 1/2"	BKM-BFOM-COMP-74-250-SC-HLW	M20 x 70-SC-HLW	165 - 175
3"	BKM-BFOM-COMP-74-300-SC-HLW	M24 x 65-SC-HLW	475 - 550
4"	BKM-BFOM-COMP-74-300-SC-HLW	M30 x 100-SC-HLW	665 - 730



# Bolt Kits - Blanking Flange to Flat Face Component - Metric

TMI 8-Bolt



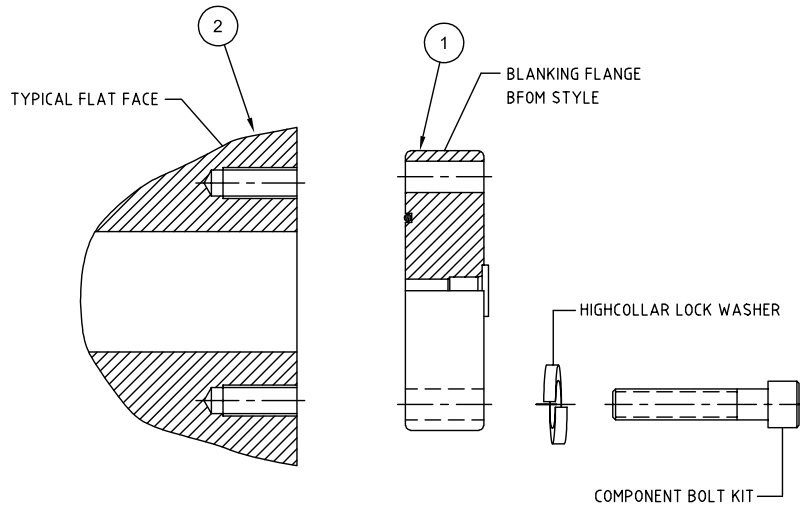
## TMI® 8-Bolt - Flange Connection

Size	Bolt Kit Part No.	Metric Sizes	Bolt Torque Nm
5"	BKM-BFOM-COMP-48-500-SC-HLW	M24 x 90-SC-HLW	475 - 550
6"	BKM-BFOM-COMP-48-600-SC-HLW	M30 x 100-SC-HLW	665 - 730
8"	BKM-BFOM-COMP-48-800-SC-HLW	M36 x 120-SC-HLW	1460 - 1595



# Bolt Kits - Low Pressure Blanking Flange to Flat Face Component - Metric

TMI 6-Bolt, TMI 8-Bolt



## TMI® 6-Bolt - Flange Connection

Size	Bolt Kit Part No.	Metric Sizes	Bolt Torque Nm
2 1/2"	BKM-BFOM-COMP-16-250-SC-HLW	M12 x 45-SC-HLW	110 - 125
3"	BKM-BFOM-COMP-16-300-SC-HLW	M16 x 50-SC-HLW	150 - 165
4"	BKM-BFOM-COMP-16-400-SC-HLW	M16 x 50-SC-HLW	150 - 165
5"	BKM-BFOM-COMP-16-500-SC-HLW	M16 x 60-SC-HLW	150 - 165
6"	BKM-BFOM-COMP-16-600-SC-HLW	M16 x 65-SC-HLW	150 - 165

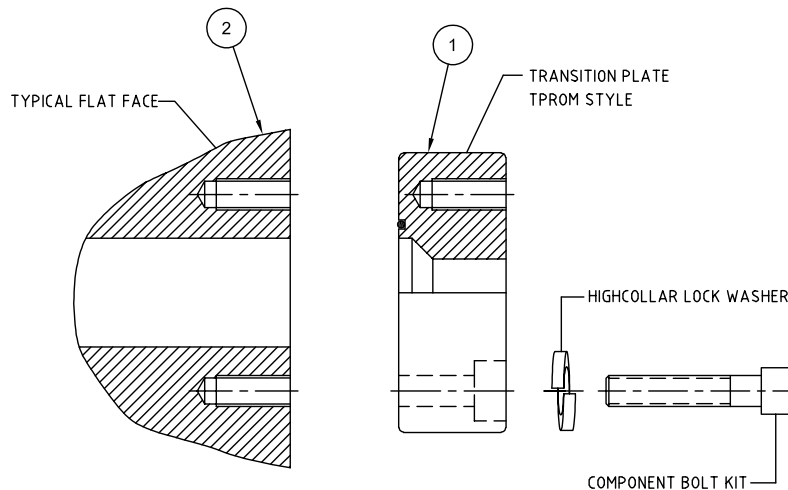
## TMI® 8-Bolt - Flange Connection

Size	Bolt Kit Part No.	Metric Sizes	Bolt Torque Nm
8"	BKM-BFOM-COMP-18-800-SC-HLW	M20 x 75-SC-HLW	165 - 175



# Bolt Kits - Transition Plate Reducer - Metric

Manifold Mount Style to Flat Face Component - ISO 6162-1



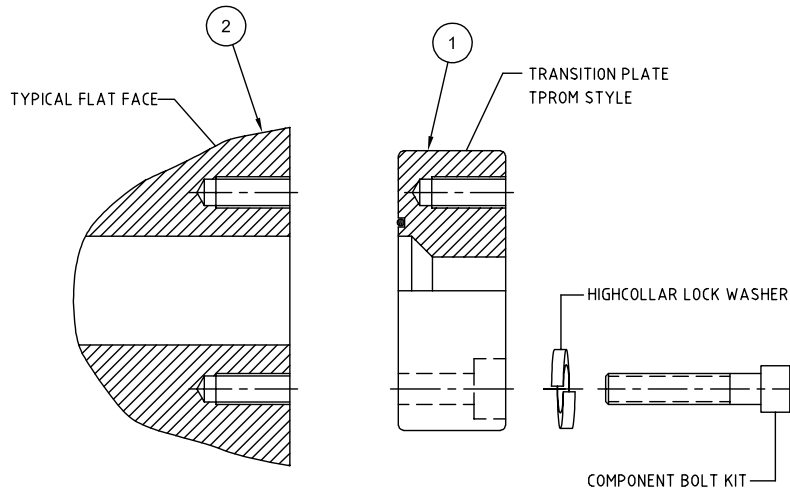
## ISO 6162-1 - 4-Bolt Flange Connection

Size	Bolt Kit Part No.	Metric Sizes	Bolt Torque Nm
3/4"x1/2"	BKM-TPROM-COMP-34-075x050-SC-HLW	M10 x 25-SC-HLW	55 - 68
1"x1/2"	BKM-TPROM-COMP-34-100x050-SC-HLW	M10 x 45-SC-HLW	55 - 68
1"x3/4"	BKM-TPROM-COMP-34-100x075-SC-HLW	M10 x 45-SC-HLW	55 - 68
1 1/4"x3/4"	BKM-TPROM-COMP-34-125x075-SC-HLW	M10 x 45-SC-HLW	55 - 68
1 1/4"x1"	BKM-TPROM-COMP-34-125x100-SC-HLW	M10 x 40-SC-HLW	55 - 68
1 1/2"x 1"	BKM-TPROM-COMP-34-150x100-SC-HLW	M12 x 45-SC-HLW	110 - 125
1 1/2"x1 1/4"	BKM-TPROM-COMP-34-150x125-SC-HLW	M12 x 45-SC-HLW	110 - 125
2"x1 1/4"	BKM-TPROM-COMP-34-200x125-SC-HLW	M12 x 60-SC-HLW	110 - 125
2"x1 1/2"	BKM-TPROM-COMP-34-200x150-SC-HLW	M12 x 50-SC-HLW	110 - 125
2 1/2"x 1 1/2"	BKM-TPROM-COMP-34-250x150-SC-HLW	M12 x 60-SC-HLW	110 - 125
2 1/2"x2"	BKM-TPROM-COMP-34-250x200-SC-HLW	M12 x 50-SC-HLW	110 - 125
3"x2"	BKM-TPROM-COMP-34-300x200-SC-HLW	M16 x 60-SC-HLW	150 - 165
3"x2 1/2"	BKM-TPROM-COMP-34-300x250-SC-HLW	M16 x 50-SC-HLW	150 - 165



# Bolt Kits - Transition Plate Reducer - Metric

Manifold Mount Style to Flat Face Component - ISO 6162-2, ISO 6162-2/6162-1



## ISO 6162-2 - 4-Bolt Flange Connection

Size	Bolt Kit Part No.	Metric Sizes	Bolt Torque Nm
3/4"x1/2"	BKM-TPROM-COMP-64-075x050-SC-HLW	M10 x 30-SC-HLW	55 - 68
1"x1/2"	BKM-TPROM-COMP-64-100x050-SC-HLW	M12 x 45-SC-HLW	110 - 125
1"x3/4"	BKM-TPROM-COMP-64-100x075-SC-HLW	M12 x 45-SC-HLW	110 - 125
1 1/4"x3/4"	BKM-TPROM-COMP-64-125x075-SC-HLW	M12 x 45-SC-HLW	110 - 125
1 1/4"x1"	BKM-TPROM-COMP-64-125x100-SC-HLW	M12 x 40-SC-HLW	110 - 125
1 1/2"x 1"	BKM-TPROM-COMP-64-150x100-SC-HLW	M16 x 50-SC-HLW	150 - 165
1 1/2"x1 1/4"	BKM-TPROM-COMP-64-150x125-SC-HLW	M16 x 45-SC-HLW	150 - 165
2"x1 1/4"	BKM-TPROM-COMP-64-200x125-SC-HLW	M20 x 50-SC-HLW	165 - 175
2"x1 1/2"	BKM-TPROM-COMP-64-200x150-SC-HLW	M20 x 50-SC-HLW	165 - 175

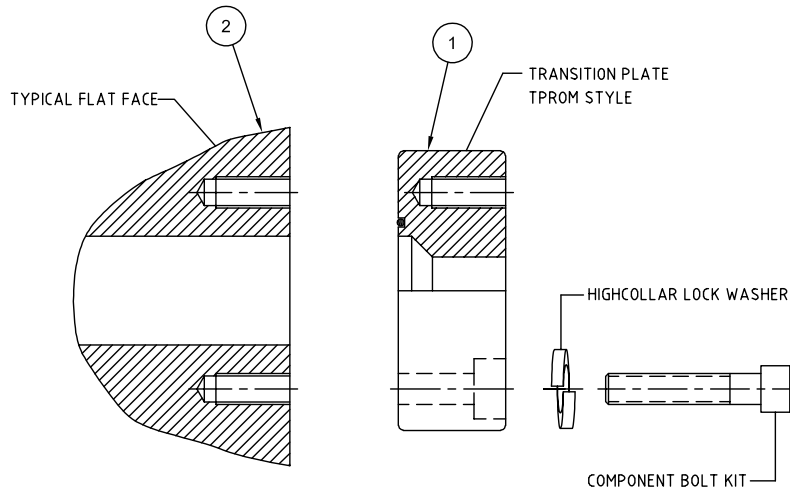
## ISO 6162-2/6162-1 - 4-Bolt Flange Connection

Size	Bolt Kit Part No.	Metric Sizes	Bolt Torque Nm
3/4"x1/2"	BKM-TPROM-COMP-6-34-075x050-SC-HLW	M10 x 45-SC-HLW	55 - 68
1"x1/2"	BKM-TPROM-COMP-6-34-100x050-SC-HLW	M12 x 45-SC-HLW	110 - 125
1"x3/4"	BKM-TPROM-COMP-6-34-100x075-SC-HLW	M12 x 45-SC-HLW	110 - 125
1 1/4"x3/4"	BKM-TPROM-COMP-6-34-125x075-SC-HLW	M12 x 45-SC-HLW	110 - 125
1 1/4"x1"	BKM-TPROM-COMP-6-34-125x100-SC-HLW	M12 x 30-SC-HLW	110 - 125
1 1/2"x 1"	BKM-TPROM-COMP-6-34-150x100-SC-HLW	M16 x 50-SC-HLW	150 - 165
1 1/2"x1 1/4"	BKM-TPROM-COMP-6-34-150x125-SC-HLW	M16 x 50-SC-HLW	150 - 165
2"x1 1/4"	BKM-TPROM-COMP-6-34-200x125-SC-HLW	M20 x 50-SC-HLW	165 - 175
2"x1 1/2"	BKM-TPROM-COMP-6-34-200x150-SC-HLW	M20 x 50-SC-HLW	165 - 175



# Bolt Kits - Transition Plate Reducer - Metric

Manifold Mount Style to Flat Face Component - ISO 6164, ISO 6164/6162-1, ISO 6164/6162-2



## ISO 6164 - 4-Bolt Flange Connection

Size	Bolt Kit Part No.	Metric Sizes	Bolt Torque Nm
3"x2 1/2"	BKM-TPROM-COMP-74-300x250-SC-HLW	M24 x 60-SC-HLW	475 - 550
4"x2 1/2"	BKM-TPROM-COMP-74-400x250-SC-HLW	M30 x 70-SC-HLW	665 - 730
4"x3"	BKM-TPROM-COMP-74-400x300-SC-HLW	M30 x 65-SC-HLW	665 - 730

## ISO 6164/6162-1 - 4-Bolt Flange Connection

Size	Bolt Kit Part No.	Metric Sizes	Bolt Torque Nm
2 1/2"x1 1/2"	BKM-TPROM-COMP-7-34-250x150-SC-HLW	M20 x 60-SC-HLW	165 - 175
2 1/2"x2"	BKM-TPROM-COMP-7-34-250x200-SC-HLW	M20 x 50-SC-HLW	165 - 175
3"x2"	BKM-TPROM-COMP-7-34-300x200-SC-HLW	M24 x 65-SC-HLW	475 - 550
3"x2 1/2"	BKM-TPROM-COMP-7-34-300x250-SC-HLW	M24 x 65-SC-HLW	475 - 550
4"x2 1/2"	BKM-TPROM-COMP-7-34-400x250-SC-HLW	M30 x 65-SC-HLW	665 - 730
4"x 3"	BKM-TPROM-COMP-7-34-400x300-SC-HLW	M30 x 65-SC-HLW	665 - 730

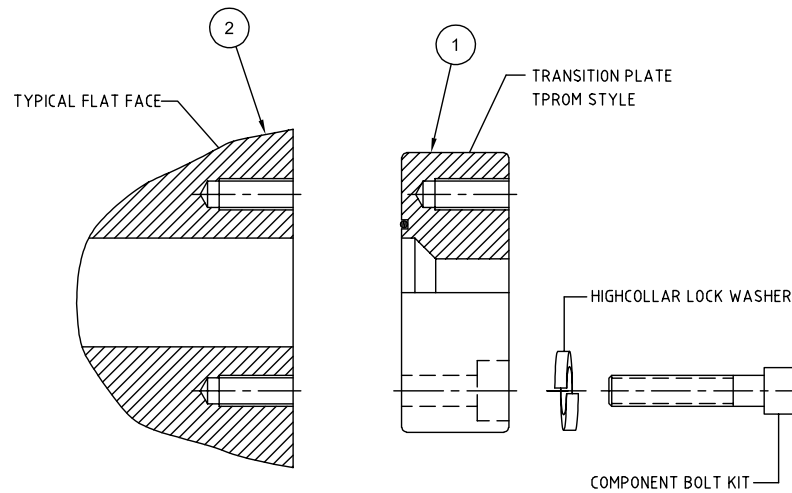
## ISO 6164/6162-2 - 4-Bolt Flange Connection

Size	Bolt Kit Part No.	Metric Sizes	Bolt Torque Nm
2 1/2"x1 1/2"	BKM-TPROM-COMP-7-64-250x150-SC-HLW	M20 x 60-SC-HLW	165 - 175
3"x2"	BKM-TPROM-COMP-7-64-300x200-SC-HLW	M24 x 70-SC-HLW	475 - 550
4"x2"	BKM-TPROM-COMP-7-64-400x200-SC-HLW	M30 x 75-SC-HLW	665 - 730



# Bolt Kits - Transition Plate Reducer - Metric

Manifold Mount Style to Flat Face Component - TMI 8-Bolt, TMI 8-Bolt/ISO 6164



## ISO 6164 - 4-Bolt Flange Connection

Size	Bolt Kit Part No.	Metric Sizes	Bolt Torque Nm
6" x 5"	BKM-TPROM-COMP-48-600x500-SC-HLW	M30 x 65-SC-HLW	665 - 730
8" x 5"	BKM-TPROM-COMP-48-800x500-SC-HLW	M36 x 95-SC-HLW	1460 - 1595
8" x 6"	BKM-TPROM-COMP-48-800x600-SC-HLW	M36 x 85-SC-HLW	1460 - 1595

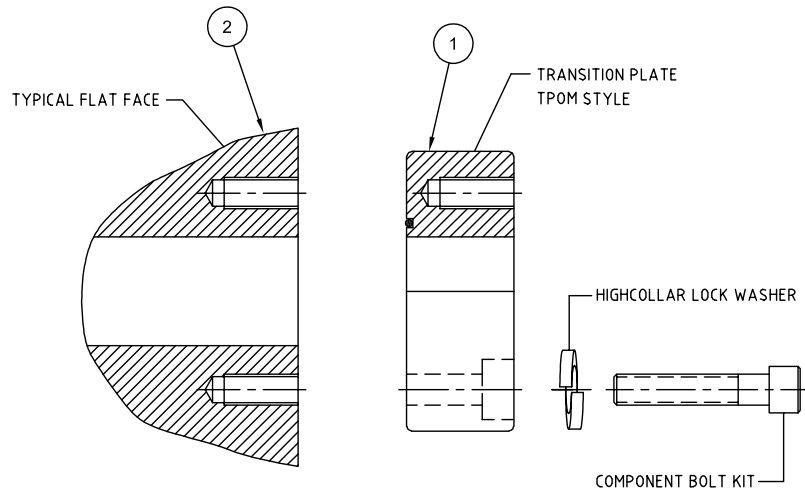
## TMI® 8-Bolt/ISO 6164 - 8-Bolt/4-Bolt Flange Connection

Size	Bolt Kit Part No.	Metric Sizes	Bolt Torque Nm
5" x 4"	BKM-TPROM-COMP-4-74-500x400-SC-HLW	M24 x 65-SC-HLW	475 - 550



# Bolt Kits - Transition Plate - Metric

Manifold Mount Style to Flat Face Component



## ISO 6162-2/6162-1 - 4-Bolt Flange Connection

Size	Bolt Kit Part No.	Metric Sizes	Bolt Torque Nm
1/2"	BKM-TPOM-COMP-6-34-050-SC-HLW	M8 x 25-SC-HLW	20 - 25
3/4"	BKM-TPOM-COMP-6-34-075-SC-HLW	M10 x 25-SC-HLW	55 - 68
1"	BKM-TPOM-COMP-6-34-100-SC-HLW	M12 x 25-SC-HLW	110 - 125
1 1/4"	BKM-TPOM-COMP-6-34-125-SC-HLW	M12 x 40-SC-HLW	110 - 125
1 1/2"	BKM-TPOM-COMP-6-34-150-SC-HLW	M16 x 40-SC-HLW	150 - 165
2"	BKM-TPOM-COMP-6-34-200-SC-HLW	M20 x 40-SC-HLW	165 - 175

## ISO 6164/6162-1 - 4-Bolt Flange Connection

Size	Bolt Kit Part No.	Metric Sizes	Bolt Torque Nm
2 1/2"	BKM-TPOM-COMP-7-34-250-SC-HLW	M20 x 40-SC-HLW	165 - 175
3"	BKM-TPOM-COMP-7-34-300-SC-HLW	M24 x 60-SC-HLW	475 - 550