

# Bolt Kits - Index



<b>Bolt Kit Order Example</b> .....	R3
<b>Flare Flange</b>	
Union Style .....	R4
Flare 'O' Ring Face to Flat Face Component .....	R5
Flare Flat Face to 'O'Ring Face Retain Ring Component .....	R6
Flare 'O' Ring Face to Retain Ring Pipe .....	R7
Flare Flat Face to Retain Ring Pipe .....	R8
Flare Flat Face to Split Flange .....	R9
<b>Retain Ring Flange</b>	
Pipe Union .....	R10
Pipe to Flat Face Component .....	R11
"O" Ring Face Retain Ring Component to Flat Face Component .....	R12
Pipe to 'O' Ring Face Retain Ring Component .....	R13
Pipe to 'O' Ring Face Component .....	R14
'O' Ring Face Retain Ring Component to Split Flange .....	R15
Pipe to Split Flange .....	R16
Butt Weld Adapter to 'O' Ring Face Retain Ring Component .....	R17
Butt Weld Adapter Union .....	R18
Butt Weld Adapter to Flat Face Component .....	R19
Butt Weld Adapter to SAE Split Flange .....	R20
<b>Low Pressure Retain Ring Flange</b>	
Union Style .....	R21
Union Style with Pilot Tee .....	R22
Pipe to Retain Ring Component .....	R23
'O' Ring Face to Flat Face Component .....	R24
<b>Female Thread Flange</b>	
'O' Ring Face to Flat Face .....	R25
<b>Socket Weld Flange</b>	
'O' Ring Face to Flat Face .....	R26
<b>Butt Weld Flange</b>	
'O' Ring Face to Flat Face .....	R27
<b>9-Bolt Ball Valve (BBVG27) Connections</b>	
'O' Ring Face Retain Ring Component to 9-Bolt Ball Valve (BBVG27) .....	R28
'O' Ring Face Flare Pipe to 9-Bolt Ball Valve (BBVG27) .....	R28
Retain Ring pipe to 9-Bolt Ball Valve (BBVG27)0 .....	R28
<b>Roll/Cut Grooved</b>	
Zero-Flex® Coupling Bolts .....	R29
<b>Elastomer Seals</b>	
'O' Ring .....	R30
'D' Ring .....	R31
Bonded Seal .....	R31



# Bolt Kits - Index (pg 2)

<b>SAE Split Flange</b>	
Split Flange to Component . . . . .	R32
<b>Flare Flange with Pilot Port Connection</b>	
Union Style	
'O' Ring Face Cone with Pilot Port . . . . .	R33
Flat Face Cone with Pilot Port . . . . .	R34
Flare Flange to Flat Face Component . . . . .	R35
Flare Flange to Retian Ring Component . . . . .	R36
<b>Retian Ring Flange with Pilot Port Connection</b>	
Pipe Union . . . . .	R37
Pipe to Flat Face Component . . . . .	R38
Butt Weld Adapter Union . . . . .	R39
Butt Weld Adapter to Flat Face Component . . . . .	R40
<b>Blanking Flange</b>	
Blanking Flange to Flat Face Component	
SAE Code 61, SAE Code 62, ISO 6164 . . . . .	R41
TMI 8-Bolt, TMI 9-Bolt . . . . .	R42
Low Pressure Blanking Flange to Flat Face Component	
TMI 6-Bolt, TMI 8-Bolt . . . . .	R43
<b>Transition Plate Reducer</b>	
Manifold Mount Style to Flat Face Component	
SAE Code 61 . . . . .	R44
SAE Code 62, SAE Code 62/SAE Code 61 . . . . .	R45
ISO 6164, ISO 6164/SAE Code 61, ISO 6164/SAE Code 62 . . . . .	R46
TMI 8-Bolt, TMI 8-Bolt/ISO 6164 . . . . .	R47
<b>Transition Plate</b>	
Manifold Mount Style to Flat Face Component	
SAE Code 62/SAE Code 61 . . . . .	R48
ISO 6164/SAE Code 61 . . . . .	R48





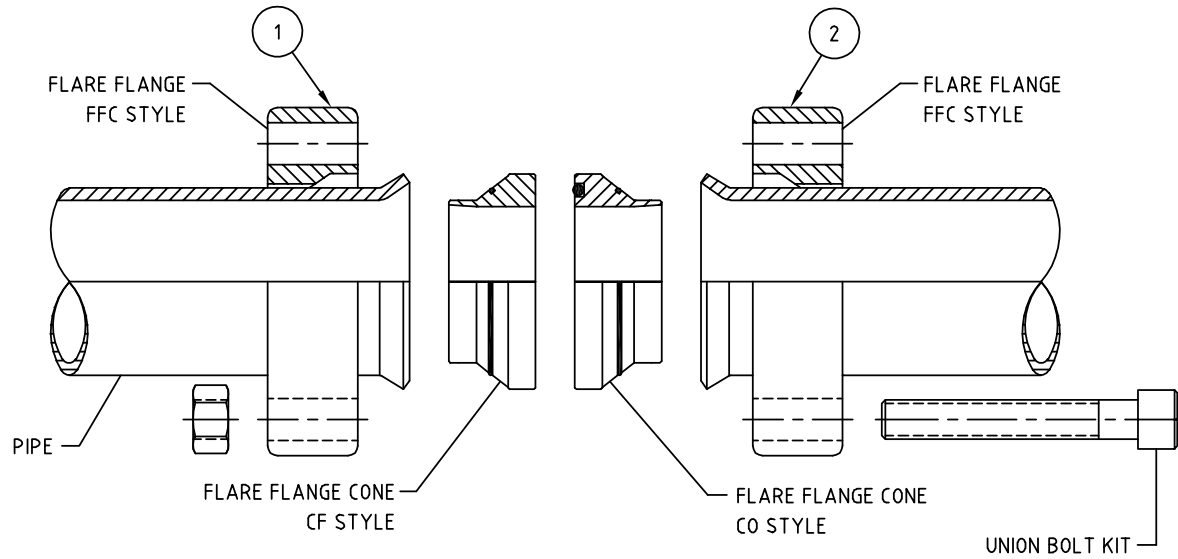
# Bolt Kit Order Example

	Bolt Kit	Flange #1	Seal (if necessary)	Flange #2 or Connection	Flange Code	Flange Size	NUT	Bolt Style	Lock-washer	Design number
<b>Bolt Kit part number example:</b>										
	<b>BK</b>	<b>FFC</b>	<b>OS</b>	<b>RFC</b>	<b>34</b>	<b>100</b>	<b>N</b>	<b>SC</b>	<b>LW</b>	
Bolt Kit	<b>BK</b> <b>BKM</b> (insert 'M' to indicate Metric threads)									
Flange #1	<b>FFC</b> Flare Flg Clearance <b>RFC</b> Retain Ring Flg Clearance (1/2"-4") <b>RFAC</b> Retain Ring Flg Clearance (5"-8") <b>BWFO</b> Butt weld Flg Oring Face <b>NTFO</b> NPT Thread Flg Oring Face <b>STFO</b> SAE Thread Flg Oring Face <b>SWFO</b> Socket Weld Flg Oring Face <b>SF</b> SAE Split Flange <b>BFO</b> Blanking Flange <b>TPRO</b> Transition Plate Reducer <b>TPO</b> Transition Plate									
Seal	<b>OS</b> Oring Seal Retainer (1/2"-4") <b>OSA</b> Oring Seal Retainer (5"-8") <b>OSP</b> Oring Seal Retainer with Pilot Port <b>OSAP</b> Oring Seal Retainer with Pilot Port <b>OSS</b> Oring Seal Retainer -4" BV only <b>OSH</b> Oring Seal Retainer <b>OSHS</b> Oring Seal Retainer -4" BV only <b>OCP</b> Oring Connector Plate <b>LPT</b> Low Pressure Pilot Tee <b>LOCP</b> Low Pressure Oring Connector Plate <b>COP</b> Cone-O'Ring Face with Pilot Port <b>CFP</b> Cone-Flat Face with pilot Port									
Flange or connection #2	<b>FFC</b> Flare Flg Clearance <b>FFT</b> Flare Flg Tapped <b>RFC</b> Retain Ring Flg Clearance (1/2"-4") <b>RFAC</b> Retain Ring Flg Clearance (5"-8") <b>RFT</b> Retain Ring Flg Tapped <b>BWFF</b> Butt weld Flg Flat Face <b>NTFF</b> NTP Thread Flg Flat Face <b>STFF</b> SAE Thread Flg Flat Face <b>SWFF</b> Socket Weld Flg Flat Face <b>COMP</b> Component <b>BV</b> Ball Valve									
Flange code	<b>34</b> (SAE Code 61) <b>64</b> (SAE Code 62) <b>74</b> (ISO 6164) <b>48</b> (TMI 8-Bolt) <b>49</b> (TMI 9-Bolt) <b>16</b> (low pressure 6-Bolt) <b>18</b> (low pressure 8-Bolt) <b>6-34</b> (SAE Code 62/Code 61) <b>7-34</b> (ISO 6164/SAE Code 61) <b>7-64</b> (ISO 6164/SAE Code 62) <b>4-74</b> (TMI 8-Bolt/ISO 6164) <b>1-16</b> (low pressure TMI 8-Bolt/6-Bolt)									
Flange size	<b>050</b> 1/2" <b>075</b> 3/4" <b>100</b> 1" <b>125</b> 1 1/4" <b>150</b> 1 1/2" <b>200</b> 2" <b>250</b> 2 1/2" <b>300</b> 3" <b>400</b> 4" <b>500</b> 5" <b>600</b> 6" <b>800</b> 8"									
NUT	<b>N</b> Nut <b>N-N</b> (to be used with stud)									
Bolt Style	<b>SC</b> Socket Cap <b>HH</b> Hex Head									
Lock Washer	<b>LW</b> Lockwasher <b>HLW</b> High Collar Lockwasher									
Design Number	Indicate if design changes									



# Bolt Kits - Flare Flange

## Union Style



### SAE Code 61 - 4-Bolt Flange Connection

Size	Bolt Kit Part No.	Bolt Torque ft.lbs.
1/2"	BK-FFC-FFC-34-050-N-SC	16 - 18
3/4"	BK-FFC-FFC-34-075-N-SC	25 - 30
1"	BK-FFC-FFC-34-100-N-SC	25 - 30
1 1/4"	BK-FFC-FFC-34-125-N-SC	45 - 50
1 1/2"	BK-FFC-FFC-34-150-N-SC	85 - 90
2"	BK-FFC-FFC-34-200-N-SC	85 - 90
2 1/2"	BK-FFC-FFC-34-250-N-SC	85 - 90
3"	BK-FFC-FFC-34-300-N-SC	110 - 120

### SAE Code 62 - 4-Bolt Flange Connection

Size	Bolt Kit Part No.	Bolt Torque ft.lbs.
1/2"	BK-FFC-FFC-64-050-N-SC	16 - 18
3/4"	BK-FFC-FFC-64-075-N-SC	25 - 30
1"	BK-FFC-FFC-64-100-N-SC	45 - 50
1 1/4"	BK-FFC-FFC-64-125-N-SC	85 - 90
1 1/2"	BK-FFC-FFC-64-150-N-SC	110 - 120
2"	BK-FFC-FFC-64-200-N-SC	120 - 130

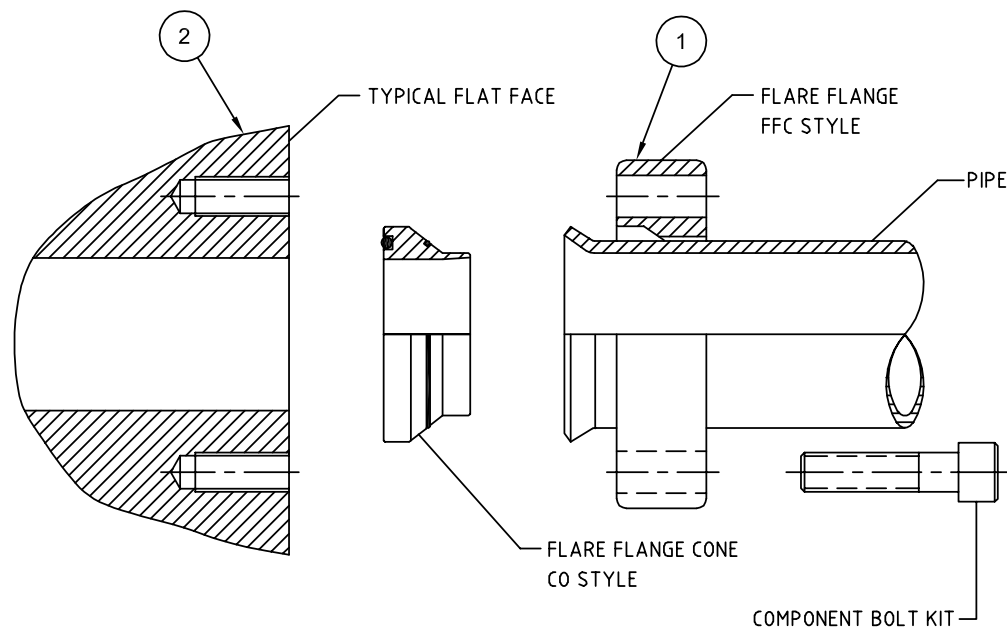
### ISO 6164 - 4-Bolt Flange Connection

Size	Bolt Kit Part No.	Bolt Torque ft.lbs.
2 1/2"	BK-FFC-FFC-74-250-N-SC	120 - 130
3"	BK-FFC-FFC-74-300-N-HH	350 - 400



# Bolt Kits - Flare Flange

Flare 'O' Ring Face to Flat Face Component



## SAE Code 61 - 4-Bolt Flange Connection

Size	Bolt Kit Part No.	Bolt Torque ft.lbs.
1/2"	BK-FFC-COMP-34-050-SC	16 - 18
3/4"	BK-FFC-COMP-34-075-SC	25 - 30
1"	BK-FFC-COMP-34-100-SC	25 - 30
1 1/4"	BK-FFC-COMP-34-125-SC	45 - 50
1 1/2"	BK-FFC-COMP-34-150-SC	85 - 90
2"	BK-FFC-COMP-34-200-SC	85 - 90
2 1/2"	BK-FFC-COMP-34-250-SC	85 - 90
3"	BK-FFC-COMP-34-300-SC	110 - 120

## SAE Code 62 - 4-Bolt Flange Connection

Size	Bolt Kit Part No.	Bolt Torque ft.lbs.
1/2"	BK-FFC-COMP-64-050-SC	16 - 18
3/4"	BK-FFC-COMP-64-075-SC	25 - 30
1"	BK-FFC-COMP-64-100-SC	45 - 50
1 1/4"	BK-FFC-COMP-64-125-SC	85 - 90
1 1/2"	BK-FFC-COMP-64-150-SC	110 - 120
2"	BK-FFC-COMP-64-200-SC	120 - 130

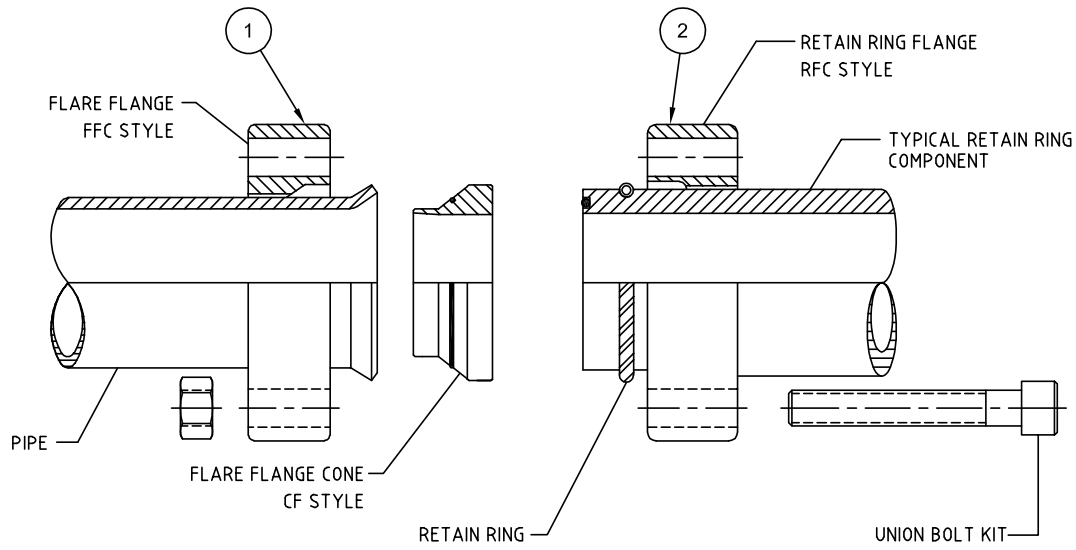
## ISO 6164 - 4-Bolt Flange Connection

Size	Bolt Kit Part No.	Bolt Torque ft.lbs.
2 1/2"	BK-FFC-COMP-74-250-SC	120 - 130
3"	BK-FFC-COMP-74-300-HH	350 - 400



# Bolt Kits - Flare Flange

Flare Flat Face to 'O' Ring Face Retain Ring Component



## SAE Code 61 - 4-Bolt Flange Connection

Size	Bolt Kit Part No.	Bolt Torque ft.lbs.
1/2"	BK-FFC-RFC-34-050-N-SC	16 - 18
3/4"	BK-FFC-RFC-34-075-N-SC	25 - 30
1"	BK-FFC-RFC-34-100-N-SC	25 - 30
1 1/4"	BK-FFC-RFC-34-125-N-SC	45 - 50
1 1/2"	BK-FFC-RFC-34-150-N-SC	85 - 90
2"	BK-FFC-RFC-34-200-N-SC	85 - 90
2 1/2"	BK-FFC-RFC-34-250-N-SC	85 - 90
3"	BK-FFC-RFC-34-300-N-SC	110 - 120

## SAE Code 62 - 4-Bolt Flange Connection

Size	Bolt Kit Part No.	Bolt Torque ft.lbs.
1/2"	BK-FFC-RFC-64-050-N-SC	16 - 18
3/4"	BK-FFC-RFC-64-075-N-SC	25 - 30
1"	BK-FFC-RFC-64-100-N-SC	45 - 50
1 1/4"	BK-FFC-RFC-64-125-N-SC	85 - 90
1 1/2"	BK-FFC-RFC-64-150-N-SC	110 - 120
2"	BK-FFC-RFC-64-200-N-SC	120 - 130

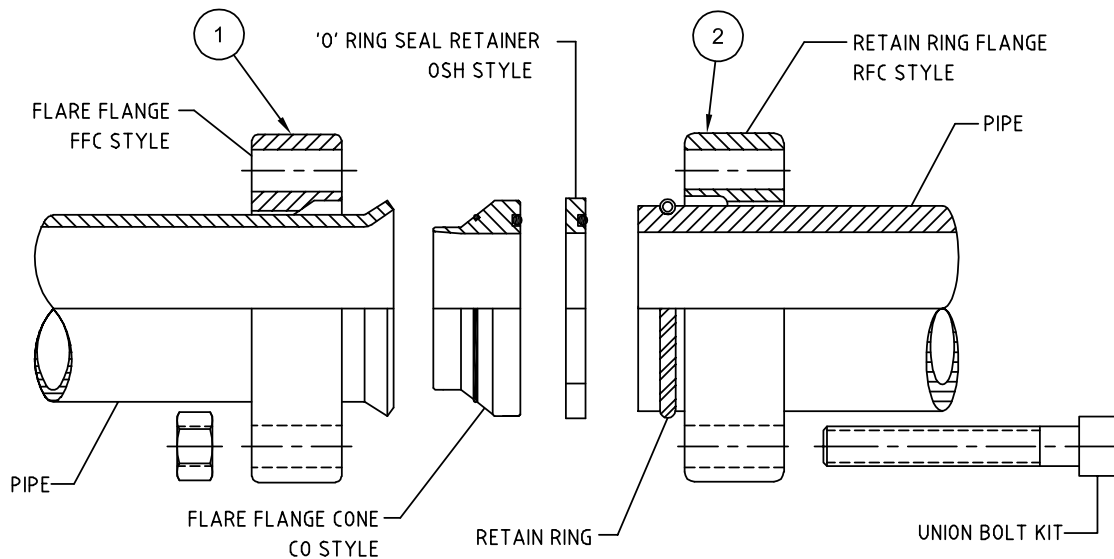
## ISO 6164 - 4-Bolt Flange Connection

Size	Bolt Kit Part No.	Bolt Torque ft.lbs.
2 1/2"	BK-FFC-RFC-74-250-N-SC	120 - 130
3"	BK-FFC-RFC-74-300-N-HH	350 - 400



# Bolt Kits - Flare Flange

Flare 'O' Ring Face to Retain Ring Pipe



## SAE Code 61 - 4-Bolt Flange Connection

Size	Bolt Kit Part No.	Bolt Torque ft.lbs.
1 1/2"	BK-FFC-OSH-RFC-34-150-N-SC	85 - 90
2"	BK-FFC-OSH-RFC-34-200-N-SC	85 - 90
2 1/2"	BK-FFC-OSH-RFC-34-250-N-SC	85 - 90
3"	BK-FFC-OSH-RFC-34-300-N-SC	110 - 120

## SAE Code 62 - 4-Bolt Flange Connection

Size	Bolt Kit Part No.	Bolt Torque ft.lbs.
1 1/2"	BK-FFC-OSH-RFC-64-150-N-SC	110 - 120
2"	BK-FFC-OSH-RFC-64-200-N-SC	120 - 130

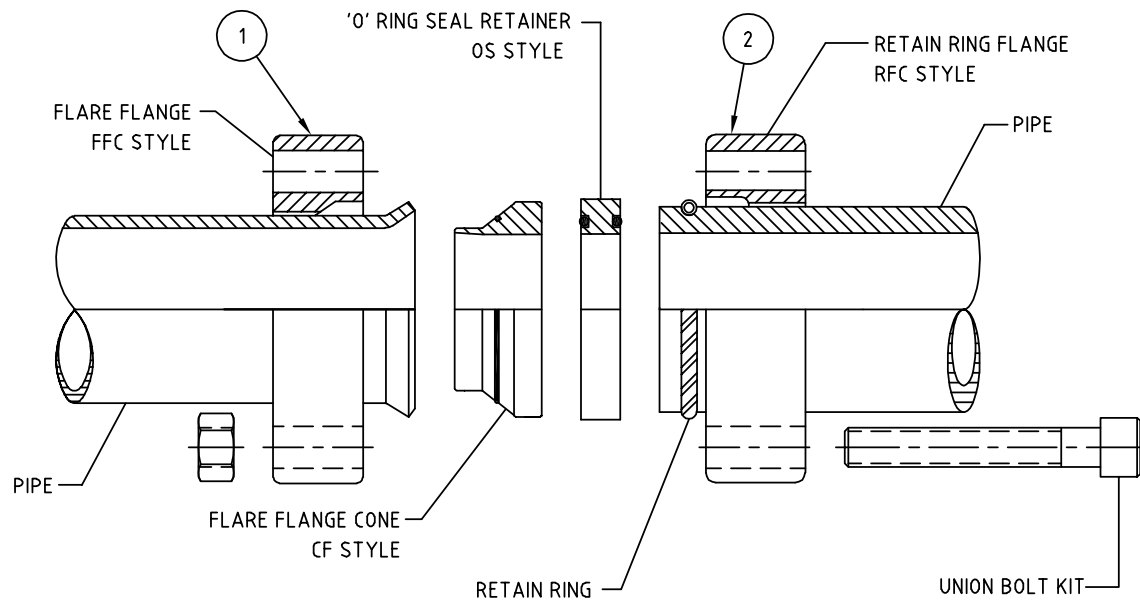
## ISO 6164 - 4-Bolt Flange Connection

Size	Bolt Kit Part No.	Bolt Torque ft.lbs.
2 1/2"	BK-FFC-OSH-RFC-74-250-N-SC	120 - 130
3"	BK-FFC-OSH-RFC-74-300-N-HH	350 - 400



# Bolt Kits - Flare Flange

## Flare Flat Face to Retain Ring Pipe



### SAE Code 61 - 4-Bolt Flange Connection

Size	Bolt Kit Part No.	Bolt Torque ft.lbs.
1 1/2"	BK-FFC-OS-RFC-34-150-N-SC	85 - 90
2"	BK-FFC-OS-RFC-34-200-N-SC	85 - 90
2 1/2"	BK-FFC-OS-RFC-34-250-N-SC	85 - 90
3"	BK-FFC-OS-RFC-34-300-N-SC	110 - 120

### SAE Code 62 - 4-Bolt Flange Connection

Size	Bolt Kit Part No.	Bolt Torque ft.lbs.
1 1/2"	BK-FFC-OS-RFC-64-150-N-SC	110 - 120
2"	BK-FFC-OS-RFC-64-200-N-SC	120 - 130

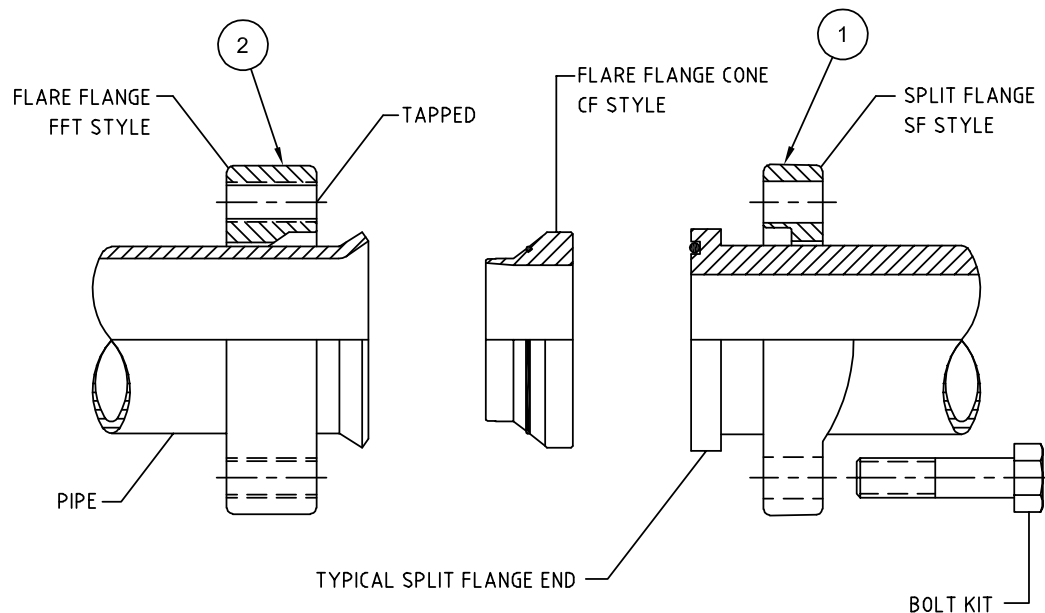
### ISO 6164 - 4-Bolt Flange Connection

Size	Bolt Kit Part No.	Bolt Torque ft.lbs.
2 1/2"	BK-FFC-OS-RFC-74-250-N-SC	120 - 130
3"	BK-FFC-OS-RFC-74-300-N-HH	350 - 400



# Bolt Kits - Flare Flange

Flare Flat Face to Split Flange



## SAE Code 61 - 4-Bolt Flange Connection

Size	Bolt Kit Part No.	Bolt Torque ft.lbs.
1/2"	BK-SF-FFT-34-050-HH	16 - 18
3/4"	BK-SF-FFT-34-075-HH	25 - 30
1"	BK-SF-FFT-34-100-HH	25 - 30
1 1/4"	BK-SF-FFT-34-125-HH	45 - 50
1 1/2"	BK-SF-FFT-34-150-HH	85 - 90
2"	BK-SF-FFT-34-200-HH	85 - 90
2 1/2"	BK-SF-FFT-34-250-HH	85 - 90
3"	BK-SF-FFT-34-300-HH	110 - 120

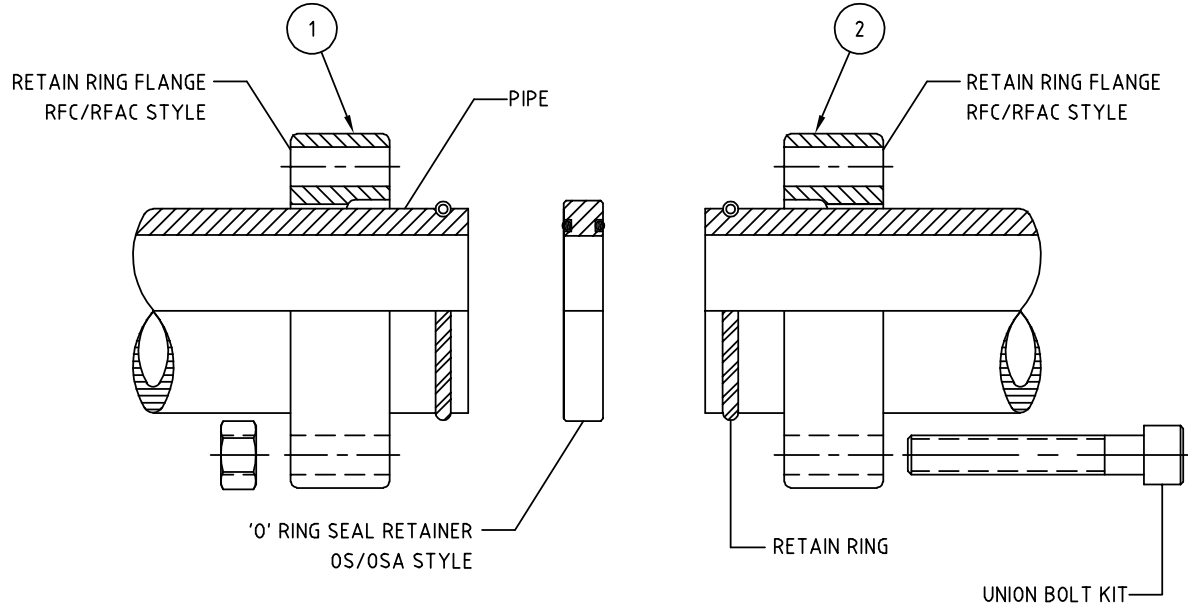
## SAE Code 62 - 4-Bolt Flange Connection

Size	Bolt Kit Part No.	Bolt Torque ft.lbs.
1/2"	BK-SF-FFT-64-050-HH	16-18
3/4"	BK-SF-FFT-64-075-HH	25-30
1"	BK-SF-FFT-64-100-HH	45-50
1 1/4"	BK-SF-FFT-64-125-HH	85-90
1 1/2"	BK-SF-FFT-64-150-HH	110-120
2"	BK-SF-FFT-64-200-HH	120-130



# Bolt Kits - Retain Ring Flange

## Pipe Union



### SAE Code 61 - 4-Bolt Flange Connection

Size	Bolt Kit Part No.	Bolt Torque ft.lbs.
1 1/2"	BK-RFC-OS-RFC-34-150-N-SC	85 - 90
2"	BK-RFC-OS-RFC-34-200-N-SC	85 - 90
2 1/2"	BK-RFC-OS-RFC-34-250-N-SC	85 - 90
3"	BK-RFC-OS-RFC-34-300-N-SC	110 - 120

### SAE Code 62 - 4-Bolt Flange Connection

Size	Bolt Kit Part No.	Bolt Torque ft.lbs.
2 1/2"	BK-RFC-OS-RFC-64-150-N-SC	120 - 130
3"	BK-RFC-OS-RFC-64-200-N-SC	350 - 400

### ISO 6164 - 4-Bolt Flange Connection

Size	Bolt Kit Part No.	Bolt Torque ft.lbs.
5"	BK-RFC-OS-RFC-74-250-N-SC	120 - 130
6"	BK-RFC-OS-RFC-74-300-N-HH	350 - 400
8"	BK-RFC-OS-RFC-74-400-N-N	500 - 550

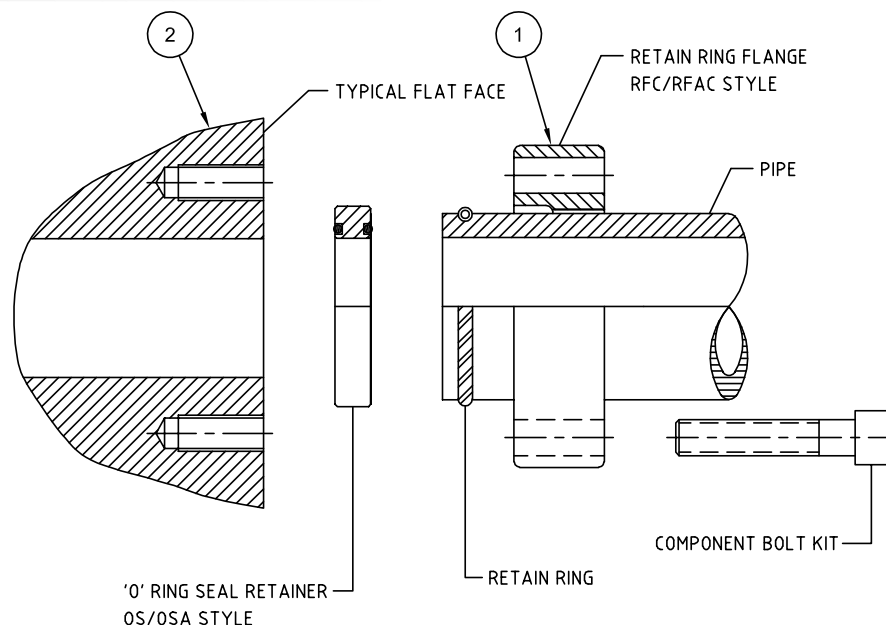
### TMI® 8-Bolt - Flange Connection

Size	Bolt Kit Part No.	Bolt Torque ft.lbs.
5"	BK-RFAC-OSA-RFAC-48-500-N-HH	350-400
6"	BK-RFAC-OSA-RFAC-48-600-N-N	500-550
8"	BK-RFAC-OSA-RFAC-48-800-N-N	1100-1200



# Bolt Kits - Retain Ring Flange

Pipe to Flat Face Component



## SAE Code 61 - 4-Bolt Flange Connection

Size	Bolt Kit Part No.	Bolt Torque ft.lbs.
1 1/2"	BK-RFC-OS-COMP-34-150-SC	85 - 90
2"	BK-RFC-OS-COMP-34-200-SC	85 - 90
2 1/2"	BK-RFC-OS-COMP-34-250-SC	85 - 90
3"	BK-RFC-OS-COMP-34-300-SC	110 - 120

## SAE Code 62 - 4-Bolt Flange Connection

Size	Bolt Kit Part No.	Bolt Torque ft.lbs.
1 1/2"	BK-RFC-OS-COMP-64-150-SC	110 - 120
2"	BK-RFC-OS-COMP-64-200-SC	120 - 30

## ISO 6164 - 4-Bolt Flange Connection

Size	Bolt Kit Part No.	Bolt Torque ft.lbs.
2 1/2"	BK-RFC-OSP-COMP-74-250-SC	120-130
3"	BK-RFC-OSP-COMP-74-300-HH	350-400
4"	BK-RFC-OSP-COMP-74-400-HH	500-550

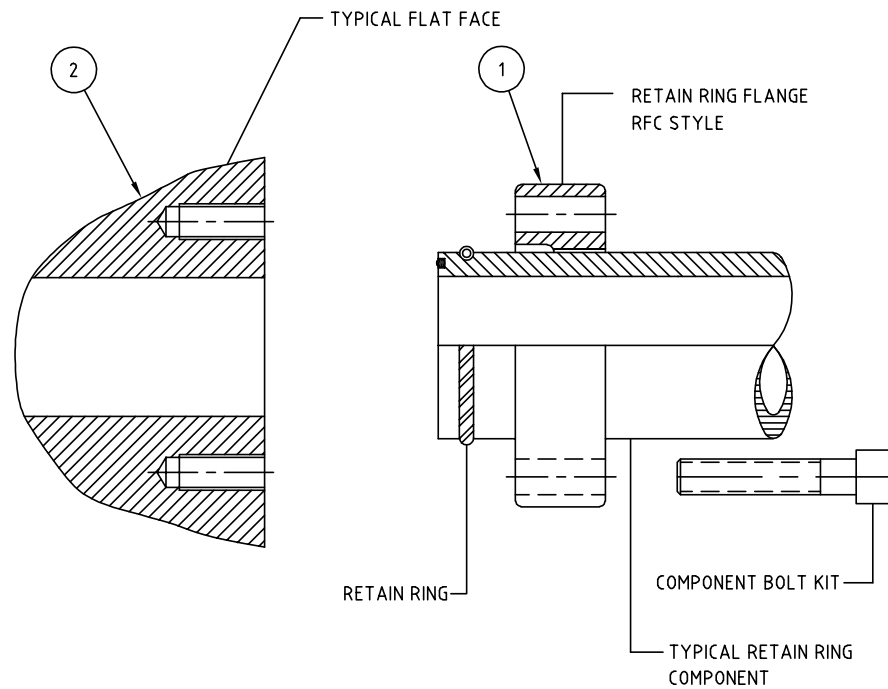
## TMI® 8-Bolt - Flange Connection

Size	Bolt Kit Part No.	Bolt Torque ft.lbs.
5"	BK-RFAC-OSA-COMP-48-500-HH	120-130
6"	BK-RFAC-OSA-COMP-48-600-HH	350-400
8"	BK-RFAC-OSA-COMP-48-800-HH	500-550



# Bolt Kits - Retain Ring Flange

'O' Ring Face Retain Ring Component to Flat Face Component



## SAE Code 61 - 4-Bolt Flange Connection

Size	Bolt Kit Part No.	Bolt Torque ft.lbs.
1/2"	BK-RFC-COMP-34-050-SC	16 - 18
3/4"	BK-RFC-COMP-34-075-SC	25 - 30
1"	BK-RFC-COMP-34-100-SC	25 - 30
1 1/4"	BK-RFC-COMP-34-125-SC	45 - 50
1 1/2"	BK-RFC-COMP-34-150-SC	85 - 90
2"	BK-RFC-COMP-34-200-SC	85 - 90
2 1/2"	BK-RFC-COMP-34-250-SC	85 - 90
3"	BK-RFC-COMP-34-300-SC	110 - 120

## SAE Code 62 - 4-Bolt Flange Connection

Size	Bolt Kit Part No.	Bolt Torque ft.lbs.
1/2"	BK-RFC-COMP-64-050-SC	16-18
3/4"	BK-RFC-COMP-64-075-SC	25-30
1"	BK-RFC-COMP-64-100-SC	45-50
1 1/4"	BK-RFC-COMP-64-125-SC	85-90
1 1/2"	BK-RFC-COMP-64-150-SC	110-120
2"	BK-RFC-COMP-64-200-SC	120-130

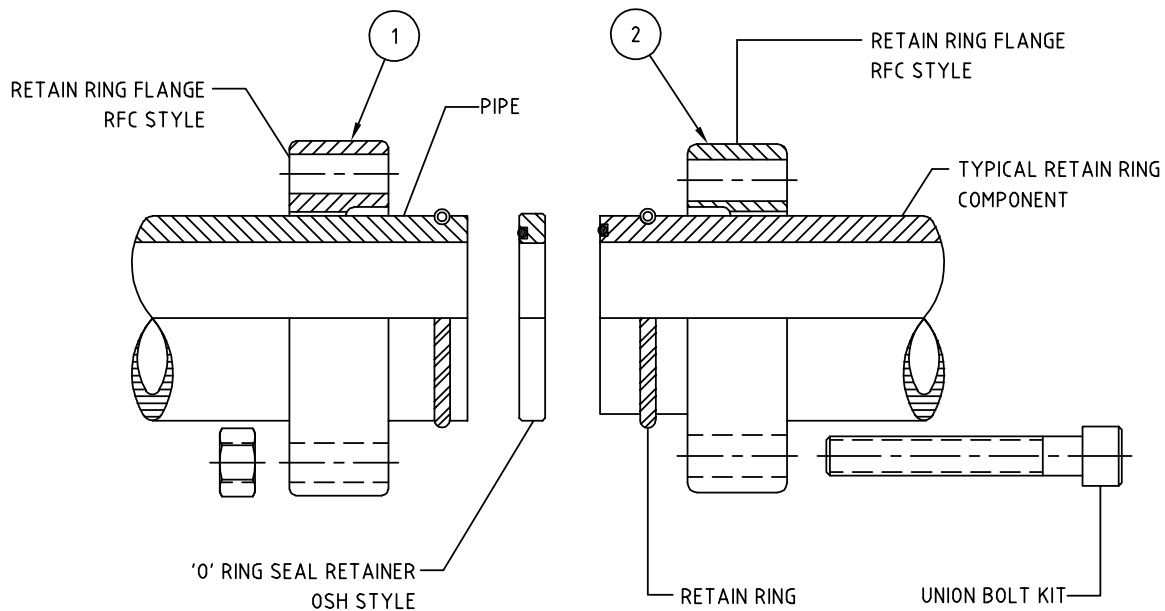
## ISO 6164 - 4-Bolt Flange Connection

Size	Bolt Kit Part No.	Bolt Torque ft.lbs.
2 1/2"	BK-RFC-COMP-74-250-SC	120-130
3"	BK-RFC-COMP-74-300-HH	350-400
4"	BK-RFC-COMP-74-400-HH	500-550



# Bolt Kits - Retain Ring Flange

Pipe to 'O' Ring Face Retain Ring Component



## SAE Code 61 - 4-Bolt Flange Connection

Size	Bolt Kit Part No.	Bolt Torque ft.lbs.
1 1/2"	BK-RFC-OSH-RFC-34-150-N-SC	85 - 90
2"	BK-RFC-OSH-RFC-34-200-N-SC	85 - 90
2 1/2"	BK-RFC-OSH-RFC-34-250-N-SC	85 - 90
3"	BK-RFC-OSH-RFC-34-300-N-SC	110 - 120

## SAE Code 62 - 4-Bolt Flange Connection

Size	Bolt Kit Part No.	Bolt Torque ft.lbs.
1 1/2"	BK-RFC-OSH-RFC-64-150-N-SC	120 - 130
2"	BK-RFC-OSH-RFC-64-200-N-SC	350 - 400

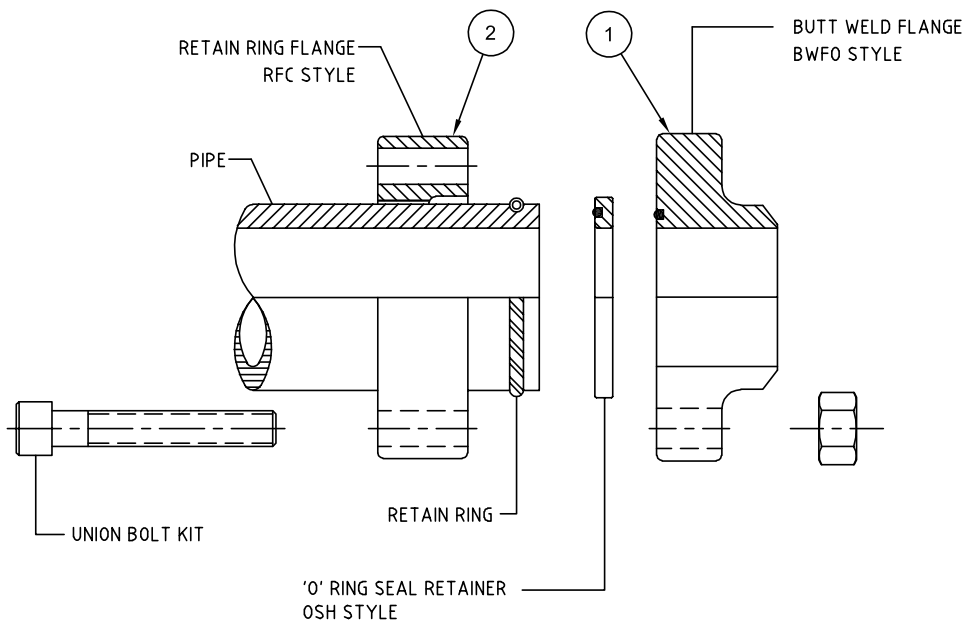
## ISO 6164 - 4-Bolt Flange Connection

Size	Bolt Kit Part No.	Bolt Torque ft.lbs.
2 1/2"	BK-RFC-OSH-RFC-74-250-N-SC	120-130
3"	BK-RFC-OSH-RFC-74-300-N-HH	350-400
4"	BK-RFC-OSH-RFC-74-400-N-N	500-550



# Bolt Kits - Retain Ring Flange

Pipe to 'O' Ring Face Component



## SAE Code 61 - 4-Bolt Flange Connection

Size	Bolt Kit Part No.	Bolt Torque ft.lbs.
1 1/2"	BK-BWFO-OSH-RFC-34-150-N-SC	85 - 90
2"	BK-BWFO-OSH-RFC-34-200-N-SC	85 - 90
2 1/2"	BK-BWFO-OSH-RFC-34-250-N-SC	85 - 90
3"	BK-BWFO-OSH-RFC-34-300-N-SC	110 - 120

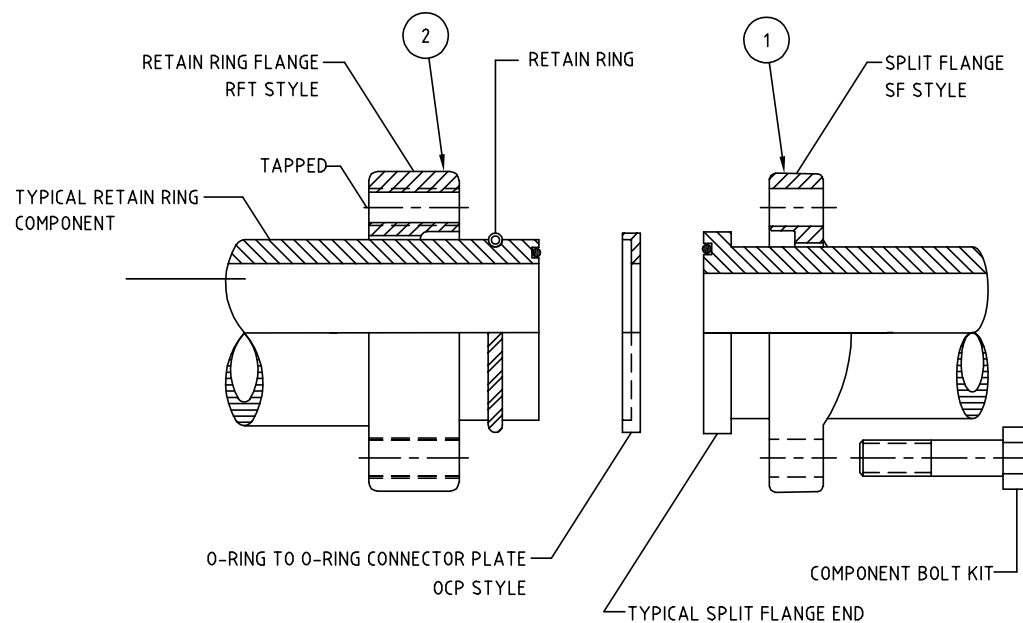
## SAE Code 62 - 4-Bolt Flange Connection

Size	Bolt Kit Part No.	Bolt Torque ft.lbs.
1 1/2"	BK-BWFO-OSH-RFC-64-150-N-SC	110 - 120
2"	BK-BWFO-OSH-RFC-64-200-N-SC	120 - 130



# Bolt Kits - Retain Ring Flange

'O' Ring Face Retain Ring Component to Split Flange



## SAE Code 61 - 4-Bolt Flange Connection

Size	Bolt Kit Part No.	Bolt Torque ft.lbs.
1/2"	BK-SF-OCP-RFT-34-050-HH	16 - 18
3/4"	BK-SF-OCP-RFT-34-075-HH	25 - 30
1"	BK-SF-OCP-RFT-34-100-HH	25 - 30
1 1/4"	BK-SF-OCP-RFT-34-125-HH	45 - 50
1 1/2"	BK-SF-OCP-RFT-34-150-HH	85 - 90
2"	BK-SF-OCP-RFT-34-200-HH	85 - 90
2 1/2"	BK-SF-OCP-RFT-34-250-HH	85 - 90
3"	BK-SF-OCP-RFT-34-300-HH	110 - 120

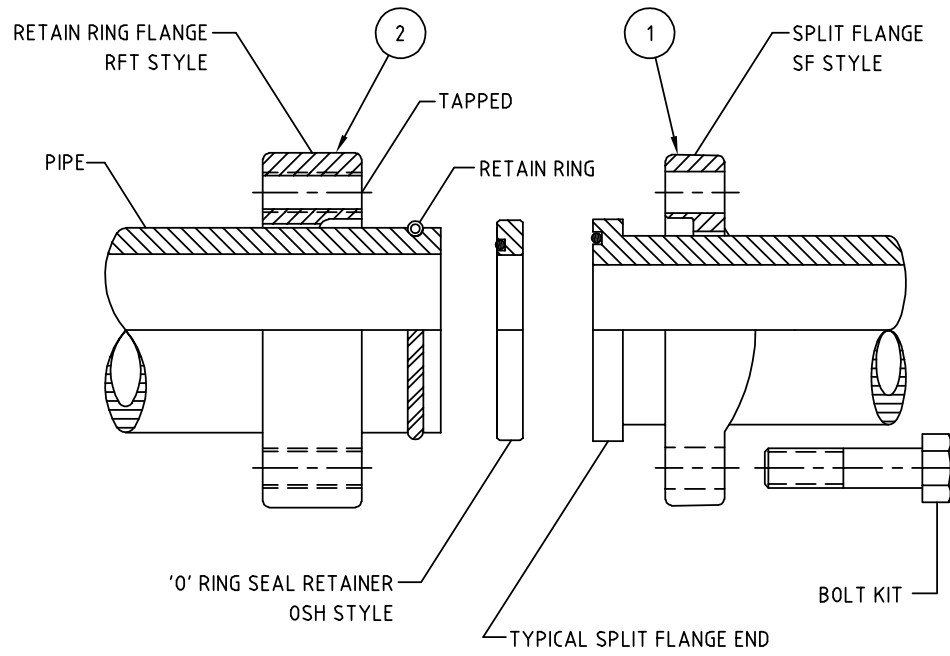
## SAE Code 62 - 4-Bolt Flange Connection

Size	Bolt Kit Part No.	Bolt Torque ft.lbs.
1/2"	BK-SF-OCP-RFT-64-050-HH	16-18
3/4"	BK-SF-OCP-RFT-64-075-HH	25-30
1"	BK-SF-OCP-RFT-64-100-HH	45-50
1 1/4"	BK-SF-OCP-RFT-64-125-HH	85-90
1 1/2"	BK-SF-OCP-RFT-64-150-HH	110-120
2"	BK-SF-OCP-RFT-64-200-HH	120-130



# Bolt Kits - Retain Ring Flange

## Pipe to Split Flange



### SAE Code 61 - 4-Bolt Flange Connection

Size	Bolt Kit Part No.	Bolt Torque ft.lbs.
1 1/2"	BK-SF-OSH-RFT-34-150-HH	85 - 90
2"	BK-SF-OSH-RFT-34-200-HH	85 - 90
2 1/2"	BK-SF-OSH-RFT-34-250-HH	85 - 90
3"	BK-SF-OSH-RFT-34-300-HH	110 - 120

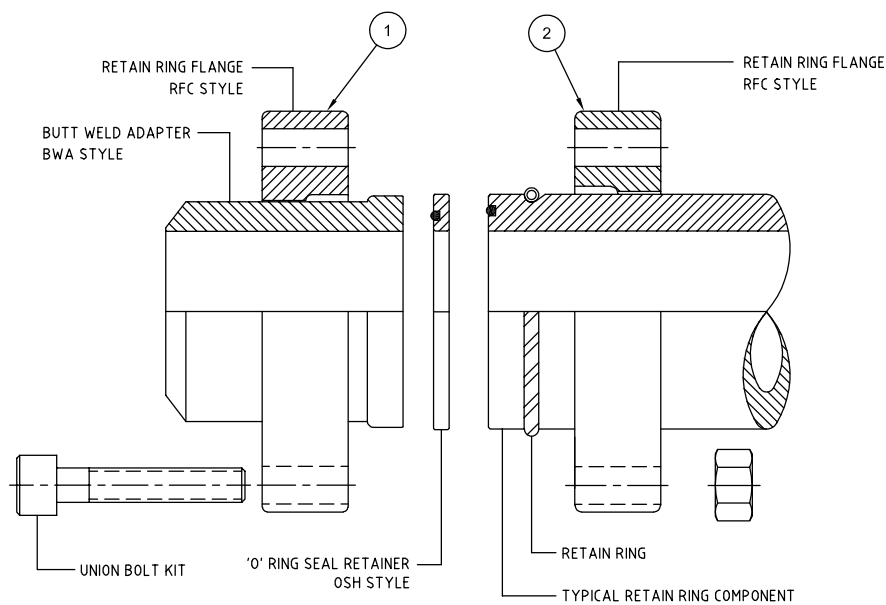
### SAE Code 62 - 4-Bolt Flange Connection

Size	Bolt Kit Part No.	Bolt Torque ft.lbs.
1 1/2"	BK-SF-OSH-RFT-64-150-HH	110 - 120
2"	BK-SF-OSH-RFT-64-200-HH	120 - 130



# Bolt Kits - Retain Ring Flange

Butt Weld Adapter to 'O' Ring Face Retain Ring Component



## SAE Code 61 - 4-Bolt Flange Connection

Size	Bolt Kit Part No.	Bolt Torque ft.lbs.
1/2"	BK-RFC-OSH-RFC-34-050-N-SC	16 - 18
3/4"	BK-RFC-OSH-RFC-34-075-N-SC	25 - 30
1"	BK-RFC-OSH-RFC-34-100-N-SC	25 - 30
1 1/4"	BK-RFC-OSH-RFC-34-125-N-SC	45 - 50
1 1/2"	BK-RFC-OSH-RFC-34-150-N-SC	85 - 90
2"	BK-RFC-OSH-RFC-34-200-N-SC	85 - 90
2 1/2"	BK-RFC-OSH-RFC-34-250-N-SC	85 - 90
3"	BK-RFC-OSH-RFC-34-300-N-SC	110 - 120

## SAE Code 62 - 4-Bolt Flange Connection

Size	Bolt Kit Part No.	Bolt Torque ft.lbs.
1/2"	BK-RFC-OSH-RFC-64-050-N-SC	16-18
3/4"	BK-RFC-OSH-RFC-64-075-N-SC	25-30
1"	BK-RFC-OSH-RFC-64-100-N-SC	45-50
1 1/4"	BK-RFC-OSH-RFC-64-125-N-SC	85-90
1 1/2"	BK-RFC-OSH-RFC-64-150-N-SC	110-120
2"	BK-RFC-OSH-RFC-64-200-N-SC	120-130

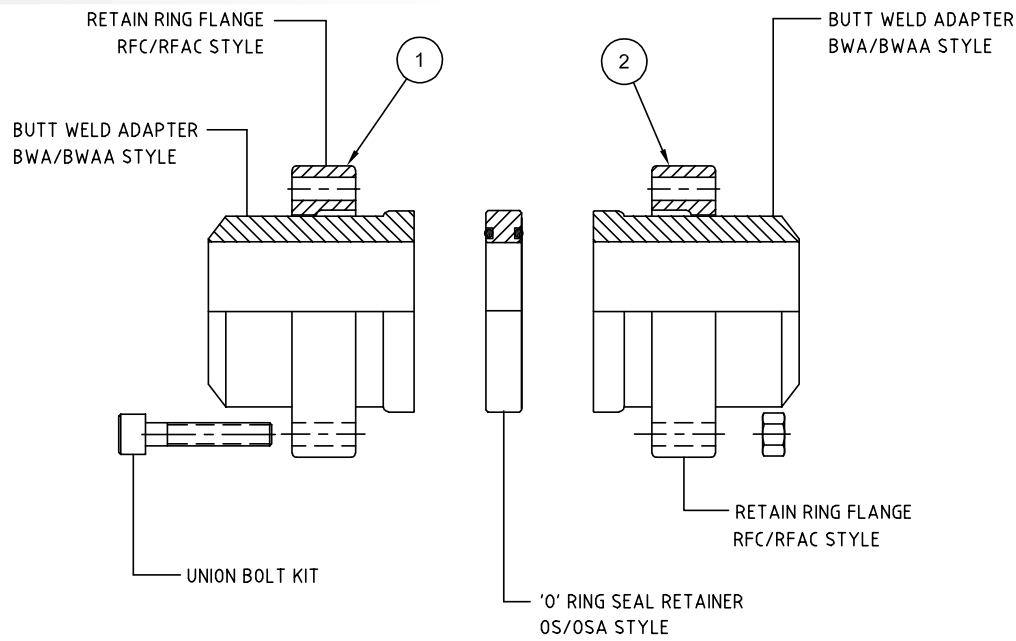
## ISO 6164 - 4-Bolt Flange Connection

Size	Bolt Kit Part No.	Bolt Torque ft.lbs.
2 1/2"	BK-RFC-OSH-RFC-74-250-N-SC	120-130
3"	BK-RFC-OSH-RFC-74-300-N-HH	350-400
4"	BK-RFC-OSH-RFC-74-400-N-N	500-550



# Bolt Kits - Retain Ring Flange

## Butt Weld Adapter Union



### SAE Code 61 - 4-Bolt Flange Connection

Size	Bolt Kit Part No.	Bolt Torque ft.lbs.
1/2"	BK-RFC-OS-RFC-34-050-N-SC	16 - 18
3/4"	BK-RFC-OS-RFC-34-075-N-SC	25 - 30
1"	BK-RFC-OS-RFC-34-100-N-SC	25 - 30
1 1/4"	BK-RFC-OS-RFC-34-125-N-SC	45 - 50
1 1/2"	BK-RFC-OS-RFC-34-150-N-SC	85 - 90
2"	BK-RFC-OS-RFC-34-200-N-SC	85 - 90
2 1/2"	BK-RFC-OS-RFC-34-250-N-SC	85 - 90
3"	BK-RFC-OS-RFC-34-300-N-SC	110 - 120

### SAE Code 62 - 4-Bolt Flange Connection

Size	Bolt Kit Part No.	Bolt Torque ft.lbs.
1/2"	BK-RFC-OS-RFC-64-050-N-SC	16 - 18
3/4"	BK-RFC-OS-RFC-64-075-N-SC	25 - 30
1"	BK-RFC-OS-RFC-64-100-N-SC	45 - 50
1 1/4"	BK-RFC-OS-RFC-64-125-N-SC	85 - 90
1 1/2"	BK-RFC-OS-RFC-64-150-N-SC	110 - 120
2"	BK-RFC-OS-RFC-64-200-N-SC	120 - 130

### ISO 6164 - 4-Bolt Flange Connection

Size	Bolt Kit Part No.	Bolt Torque ft.lbs.
2 1/2"	BK-RFC-OS-RFC-74-250-N-SC	120 - 130
3"	BK-RFC-OS-RFC-74-300-N-HH	350 - 400
4"	BK-RFC-OS-RFC-74-400-N-N	500 - 550

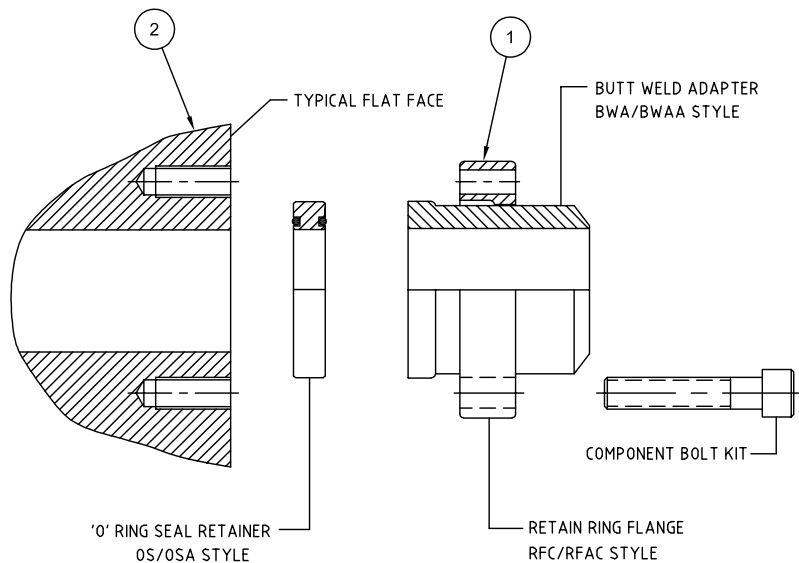
### TMI® 8-Bolt - Flange Connection

Size	Bolt Kit Part No.	Bolt Torque ft.lbs.
5"	BK-RFAC-OSA-RFAC-48-500-N-HH	350 - 400
6"	BK-RFAC-OSA-RFAC-48-600-N-N	500 - 550
8"	BK-RFAC-OSA-RFAC-48-800-N-N	1100 - 1200



# Bolt Kits - Retain Ring Flange

Butt Weld Adapter to Flat Face Component



## SAE Code 61 - 4-Bolt Flange Connection

Size	Bolt Kit Part No.	Bolt Torque ft.lbs.
1/2"	BK-RFC-OS-COMP-34-050-SC	16 - 18
3/4"	BK-RFC-OS-COMP-34-075-SC	25 - 30
1"	BK-RFC-OS-COMP-34-100-SC	25 - 30
1 1/4"	BK-RFC-OS-COMP-34-125-SC	45 - 50
1 1/2"	BK-RFC-OS-COMP-34-150-SC	85 - 90
2"	BK-RFC-OS-COMP-34-200-SC	85 - 90
2 1/2"	BK-RFC-OS-COMP-34-250-SC	85 - 90
3"	BK-RFC-OS-COMP-34-300-SC	110 - 120

## SAE Code 62 - 4-Bolt Flange Connection

Size	Bolt Kit Part No.	Bolt Torque ft.lbs.
1/2"	BK-RFC-OS-COMP-64-050-SC	16 - 18
3/4"	BK-RFC-OS-COMP-64-075-SC	25 - 30
1"	BK-RFC-OS-COMP-64-100-SC	45 - 50
1 1/4"	BK-RFC-OS-COMP-64-125-SC	85 - 90
1 1/2"	BK-RFC-OS-COMP-64-150-SC	110 - 120
2"	BK-RFC-OS-COMP-64-200-SC	120 - 130

## ISO 6164 - 4-Bolt Flange Connection

Size	Bolt Kit Part No.	Bolt Torque ft.lbs.
2 1/2"	BK-RFC-OS-COMP-74-250-SC	120 - 130
3"	BK-RFC-OS-COMP-74-300-HH	350 - 400
4"	BK-RFC-OS-COMP-74-400-HH	500 - 550

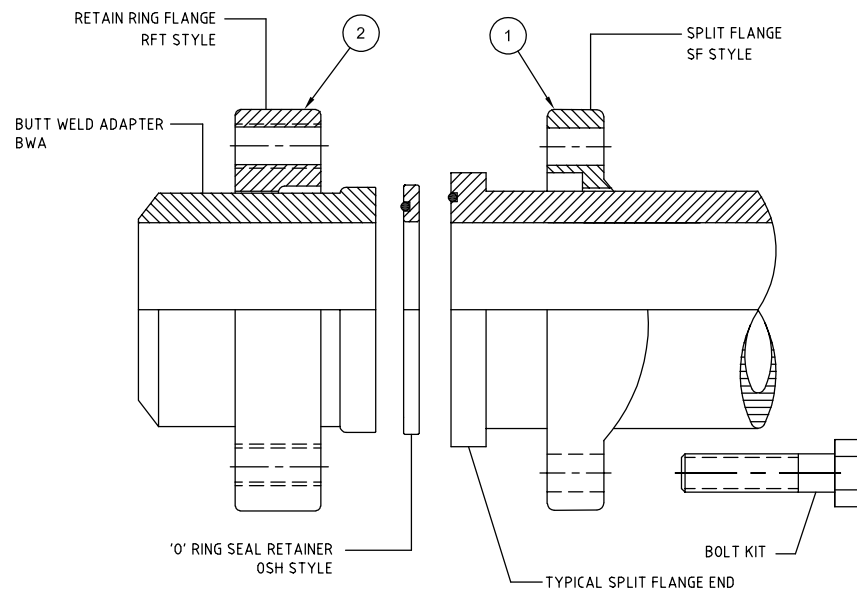
## TMI® 8-Bolt - Flange Connection

Size	Bolt Kit Part No.	Bolt Torque ft.lbs.
5"	BK-RFAC-OSA-COMP-48-500-HH	350 - 400
6"	BK-RFAC-OSA-COMP-48-600-HH	500 - 550
8"	BK-RFAC-OSA-COMP-48-800-HH	1100 - 1200



# Bolt Kits - Retain Ring Flange

## Butt Weld Adapter to SAE Split Flange



### SAE Code 61 - 4-Bolt Flange Connection

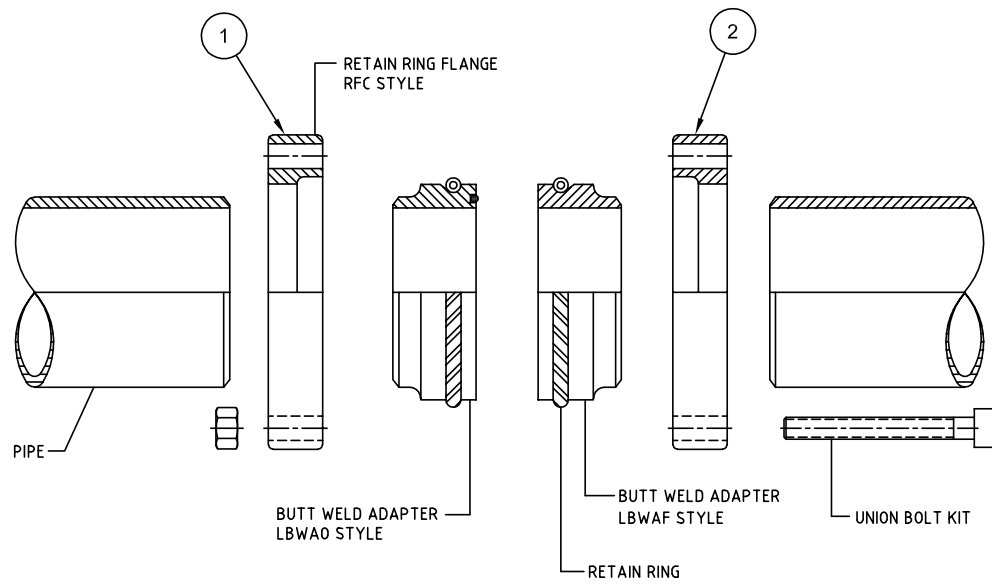
Size	Bolt Kit Part No.	Bolt Torque ft.lbs.
1/2"	BK-SF-OSH-RFT-34-050-HH	16 - 18
3/4"	BK-SF-OSH-RFT-34-075-HH	25 - 30
1"	BK-SF-OSH-RFT-34-100-HH	25 - 30
1 1/4"	BK-SF-OSH-RFT-34-125-HH	45 - 50
1 1/2"	BK-SF-OSH-RFT-34-150-HH	85 - 90
2"	BK-SF-OSH-RFT-34-200-HH	85 - 90
2 1/2"	BK-SF-OSH-RFT-34-250-HH	85 - 90
3"	BK-SF-OSH-RFT-34-300-HH	110 - 120

### SAE Code 62 - 4-Bolt Flange Connection

Size	Bolt Kit Part No.	Bolt Torque ft.lbs.
1/2"	BK-SF-OSH-RFT-64-050-HH	16-18
3/4"	BK-SF-OSH-RFT-64-075-HH	25-30
1"	BK-SF-OSH-RFT-64-100-HH	45-50
1 1/4"	BK-SF-OSH-RFT-64-125-HH	85-90
1 1/2"	BK-SF-OSH-RFT-64-150-HH	110-120
2"	BK-SF-OSH-RFT-64-200-HH	120-130

# Bolt Kits - Low Pressure Retain Ring Flange

Union Style



## TMI® 6-Bolt - Flange Connection

Size	Bolt Kit Part No.	Bolt Torque ft.lbs.
2 1/2"	BK-RFC-RFC-16-250-N-SC	85-90
3"	BK-RFC-RFC-16-300-N-SC	110-120
4"	BK-RFC-RFC-16-400-N-SC	110-120
5"	BK-RFC-RFC-16-500-N-SC	110-120
6"	BK-RFC-RFC-16-600-N-SC	110-120

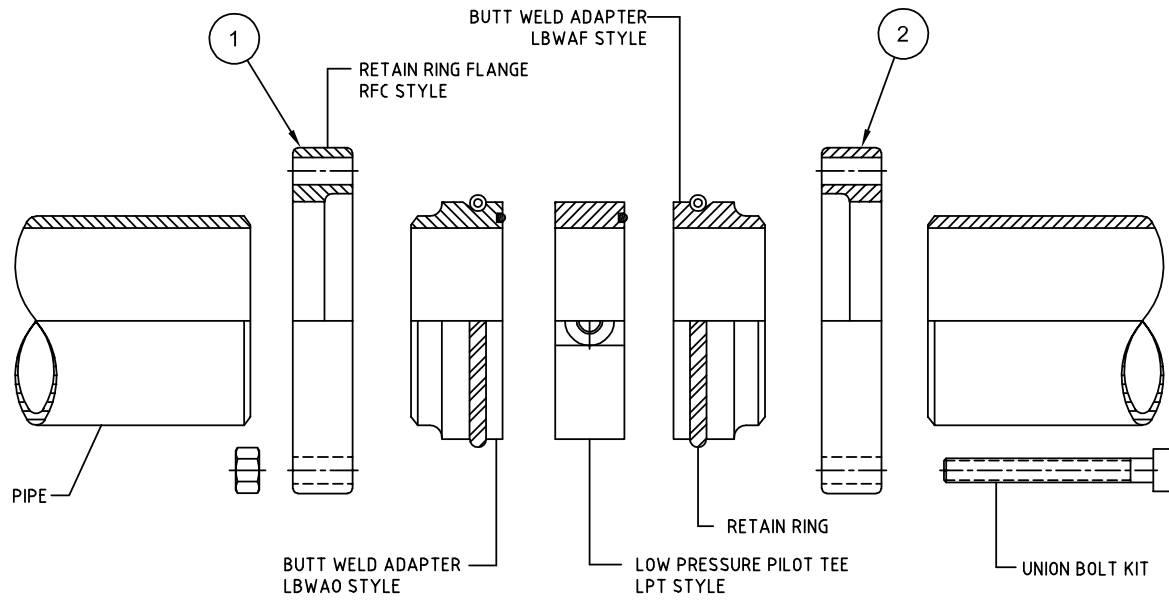
## TMI® 8-Bolt - Flange Connection

Size	Bolt Kit Part No.	Bolt Torque ft.lbs.
8"	BK-RFC-RFC-18-800-N-SC	120 - 130



# Bolt Kits - Low Pressure Retain Ring Flange

Union Style with Pilot Tee



## TMI® 6-Bolt - Flange Connection

Size	Bolt Kit Part No.	Bolt Torque ft.lbs.
2 1/2"	BK-RFC-LPT-RFC-16-250-N-SC	85-90
3"	BK-RFC-LPT-RFC-16-300-N-SC	110-120
4"	BK-RFC-LPT-RFC-16-400-N-SC	110-120
5"	BK-RFC-LPT-RFC-16-500-N-SC	110-120
6"	BK-RFC-LPT-RFC-16-600-N-SC	110-120

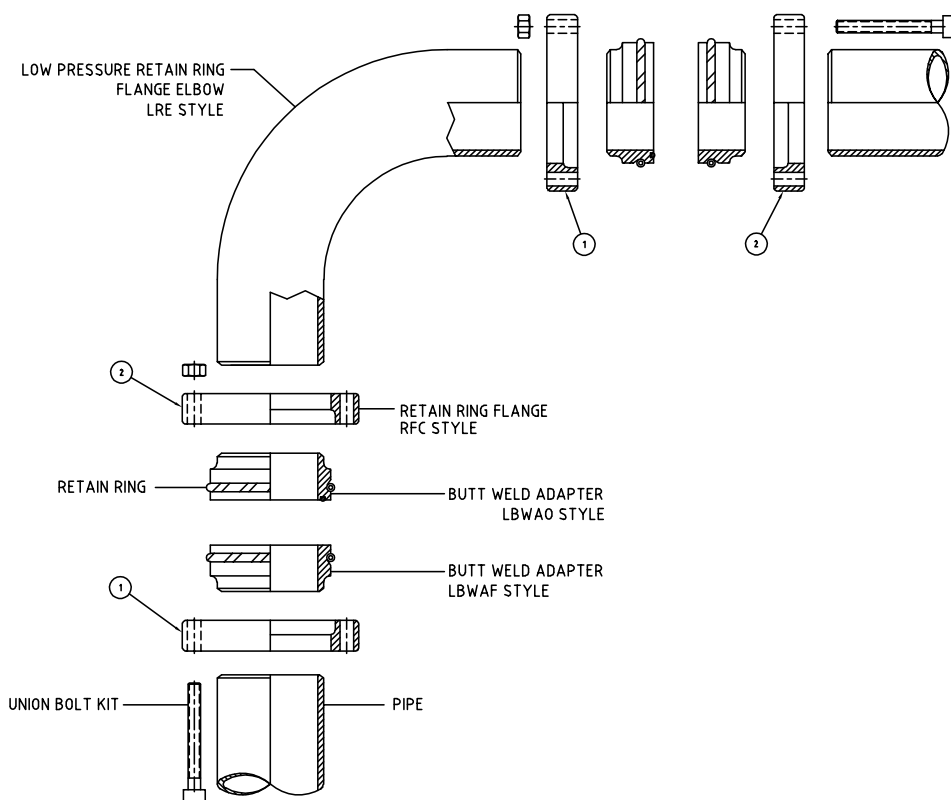
## TMI® 8-Bolt - Flange Connection

Size	Bolt Kit Part No.	Bolt Torque ft.lbs.
8"	BK-RFC-LPT-RFC-18-800-N-SC	120 - 130



# Bolt Kits - Low Pressure Retain Ring Flange

Pipe to Retain Ring Component



## TMI® 6-Bolt - Flange Connection

Size	Bolt Kit Part No.	Bolt Torque ft.lbs.
2 1/2"	BK-RFC-RFC-16-250-N-SC	85-90
3"	BK-RFC-RFC-16-300-N-SC	110-120
4"	BK-RFC-RFC-16-400-N-SC	110-120
5"	BK-RFC-RFC-16-500-N-SC	110-120
6"	BK-RFC-RFC-16-600-N-SC	110-120

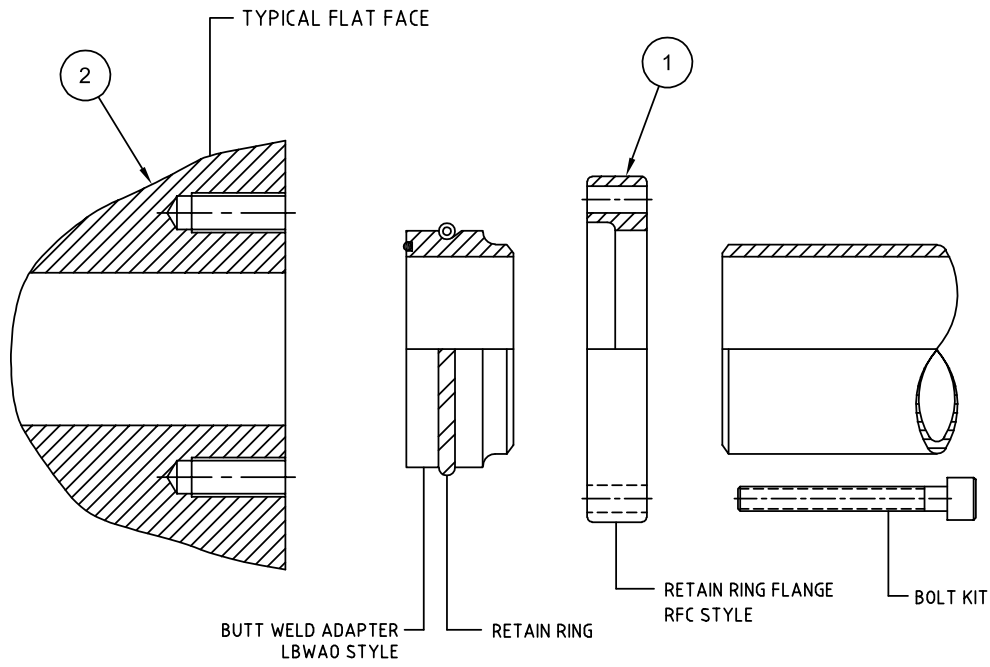
## TMI® 8-Bolt - Flange Connection

Size	Bolt Kit Part No.	Bolt Torque ft.lbs.
8"	BK-RFC-RFC-18-800-N-SC	120 - 130



# Bolt Kits - Low Pressure Retain Ring Flange

'O' Ring Face to Flat Face Component



## TMI® 6-Bolt - Flange Connection

Size	Bolt Kit Part No.	Bolt Torque ft.lbs.
2 1/2"	BK-RFC-COMP-16-250-SC	85-90
3"	BK-RFC-COMP-16-300-SC	110-120
4"	BK-RFC-COMP-16-400-SC	110-120
5"	BK-RFC-COMP-16-500-SC	110-120
6"	BK-RFC-COMP-16-600-SC	110-120

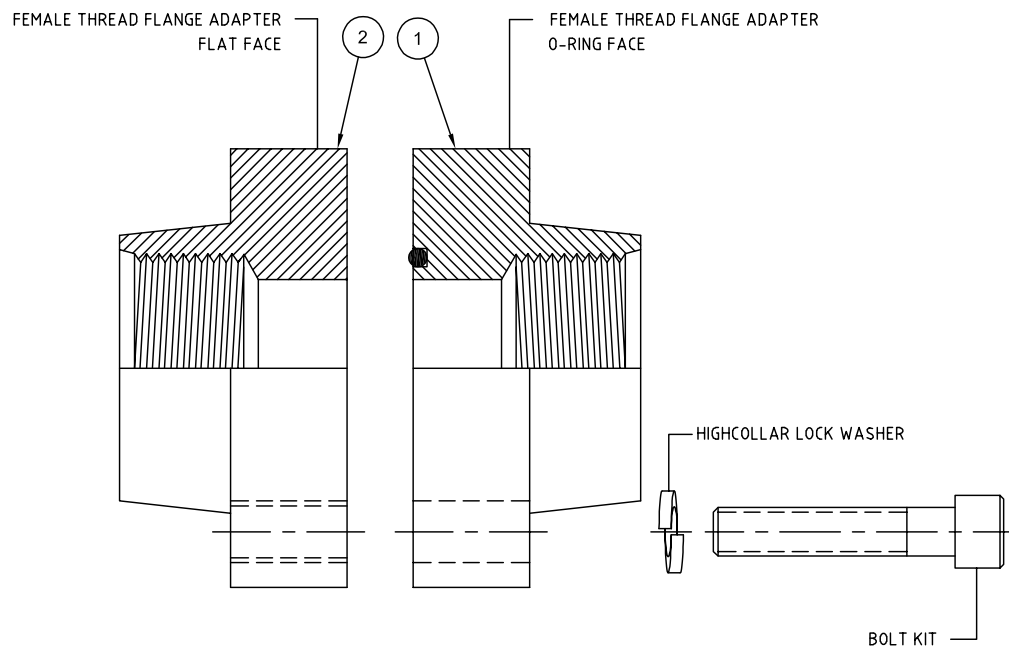
## TMI® 8-Bolt - Flange Connection

Size	Bolt Kit Part No.	Bolt Torque ft.lbs.
8"	BK-RFC-COMP-18-800-SC	120 - 130



# Bolt Kits - Female Thread Flange

'O' Ring Face to Flat Face



## SAE Code 61 - 4-Bolt Flange Connection

Size	Bolt Kit Part No. Female NPT Thread	Bolt Kit Part No. Female SAE Straight Thread	Bolt Torque ft.lbs.
1/2"	BK-NTFO-NTFF-34-050-SC-HLW	BK-STFO-STFF-34-050-SC-HLW	16 - 18
3/4"	BK-NTFO-NTFF-34-075-SC-HLW	BK-STFO-STFF-34-075-SC-HLW	25 - 30
1"	BK-NTFO-NTFF-34-100-SC-HLW	BK-STFO-STFF-34-100-SC-HLW	25 - 30
1 1/4"	BK-NTFO-NTFF-34-125-SC-HLW	BK-STFO-STFF-34-125-SC-HLW	45 - 50
1 1/2"	BK-NTFO-NTFF-34-150-SC-HLW	BK-STFO-STFF-34-150-SC-HLW	85 - 90
2"	BK-NTFO-NTFF-34-200-SC-HLW	BK-STFO-STFF-34-200-SC-HLW	85 - 90
2 1/2"	BK-NTFO-NTFF-34-250-SC-HLW	BK-STFO-STFF-34-250-SC-HLW	85 - 90
3"	BK-NTFO-NTFF-34-300-SC-HLW	BK-STFO-STFF-34-300-SC-HLW	110 - 120

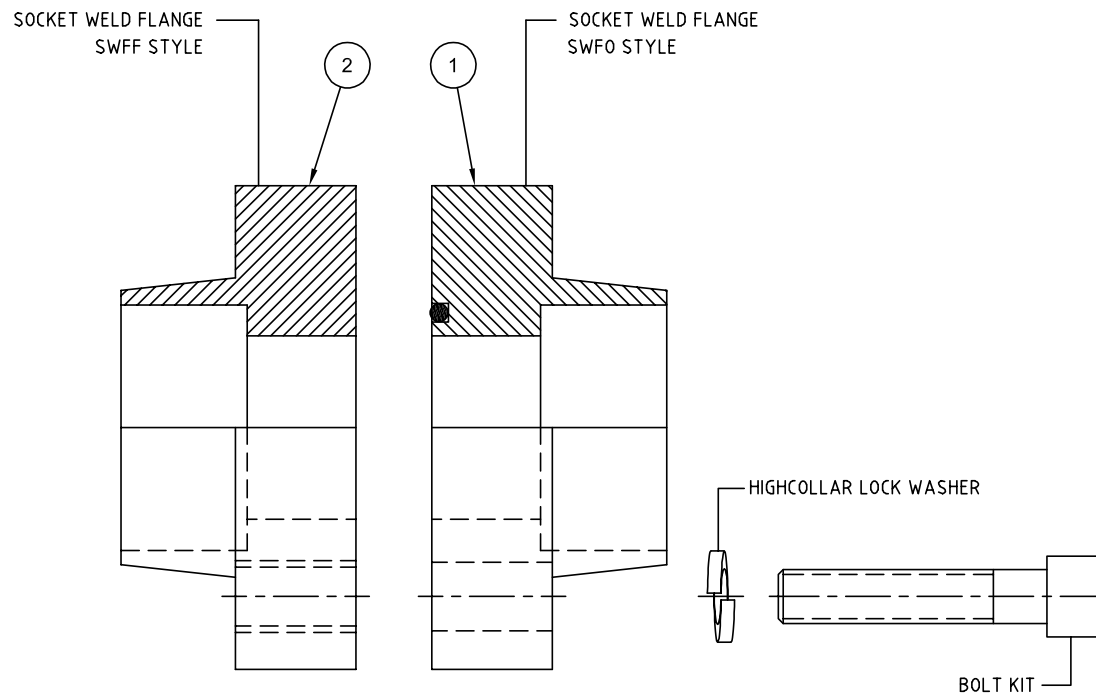
## SAE Code 62 - 4-Bolt Flange Connection

Size	Bolt Kit Part No. Female NPT Thread	Bolt Kit Part No. Female SAE Straight Thread	Bolt Torque ft.lbs.
1/2"	BK-NTFO-NTFF-64-050-SC-HLW	BK-STFO-STFF-64-050-SC-HLW	16 - 18
3/4"	BK-NTFO-NTFF-64-075-SC-HLW	BK-STFO-STFF-64-075-SC-HLW	25 - 30
1"	BK-NTFO-NTFF-64-100-SC-HLW	BK-STFO-STFF-64-100-SC-HLW	45 - 50
1 1/4"	BK-NTFO-NTFF-64-125-SC-HLW	BK-STFO-STFF-64-125-SC-HLW	85 - 90
1 1/2"	BK-NTFO-NTFF-64-150-SC-HLW	BK-STFO-STFF-64-150-SC-HLW	110 - 120
2"	BK-NTFO-NTFF-64-200-SC-HLW	BK-STFO-STFF-64-200-SC-HLW	120 - 130



# Bolt Kits - Socket Weld Flange

'O' Ring Face to Flat Face



## SAE Code 61 - 4-Bolt Flange Connection

Size	Bolt Kit Part No.	Bolt Torque ft.lbs.
1/2"	BK-SWFO-SWFF-34-050-SC-HLW	16-18
3/4"	BK-SWFO-SWFF-34-075-SC-HLW	25-30
1"	BK-SWFO-SWFF-34-100-SC-HLW	25-30
1 1/4"	BK-SWFO-SWFF-34-125-SC-HLW	45-50
1 1/2"	BK-SWFO-SWFF-34-150-SC-HLW	85-90
2"	BK-SWFO-SWFF-34-200-SC-HLW	85-90
2 1/2"	BK-SWFO-SWFF-34-250-SC-HLW	85-90
3"	BK-SWFO-SWFF-34-300-SC-HLW	110-120
4"	BK-SWFO-SWFF-34-400-SC-HLW	110-120

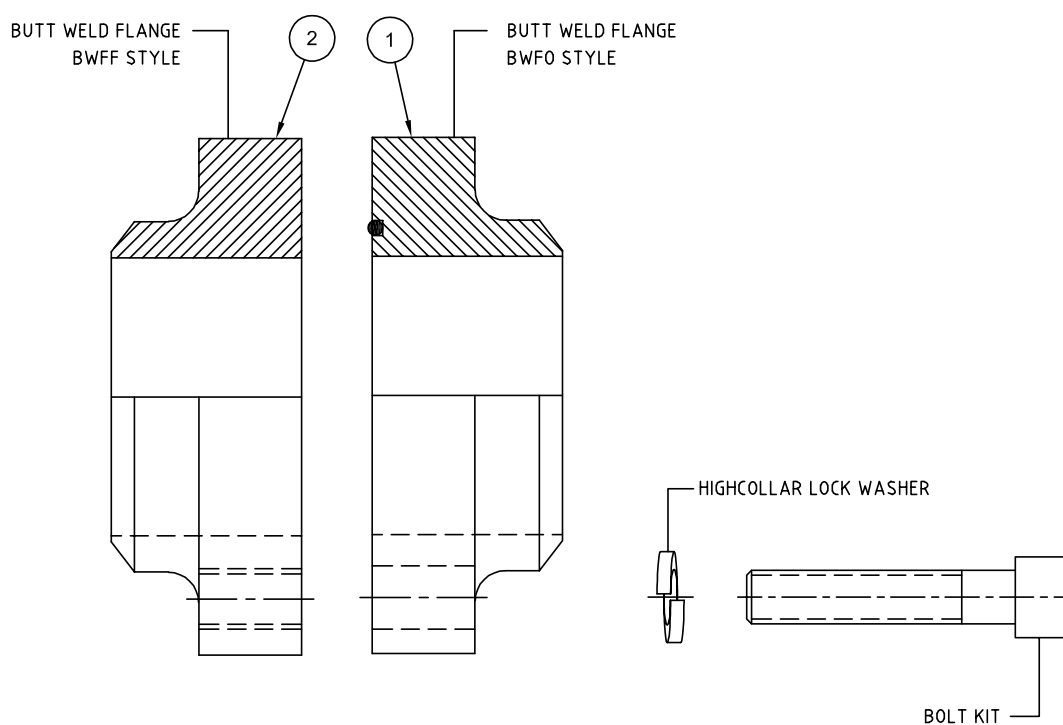
## SAE Code 62 - 4-Bolt Flange Connection

Size	Bolt Kit Part No.	Bolt Torque ft.lbs.
1/2"	BK-SWFO-SWFF-64-050-SC-HLW	16-18
3/4"	BK-SWFO-SWFF-64-075-SC-HLW	25-30
1"	BK-SWFO-SWFF-64-100-SC-HLW	45-50
1 1/4"	BK-SWFO-SWFF-64-125-SC-HLW	85-90
1 1/2"	BK-SWFO-SWFF-64-150-SC-HLW	110-120
2"	BK-SWFO-SWFF-64-200-SC-HLW	120-130



# Bolt Kits - Butt Weld Flange

'O' Ring Face to Flat Face



## SAE Code 61 - 4-Bolt Flange Connection

Size	Bolt Kit Part No.	Bolt Torque ft.lbs.
1/2"	BK-BWFO-BWFF-34-050-SC-HLW	16 - 18
3/4"	BK-BWFO-BWFF-34-075-SC-HLW	25 - 30
1"	BK-BWFO-BWFF-34-100-SC-HLW	25 - 30
1 1/4"	BK-BWFO-BWFF-34-125-SC-HLW	45 - 50
1 1/2"	BK-BWFO-BWFF-34-150-SC-HLW	85 - 90
2"	BK-BWFO-BWFF-34-200-SC-HLW	85 - 90
2 1/2"	BK-BWFO-BWFF-34-250-SC-HLW	85 - 90
3"	BK-BWFO-BWFF-34-300-SC-HLW	110 - 120

## SAE Code 62 - 4-Bolt Flange Connection

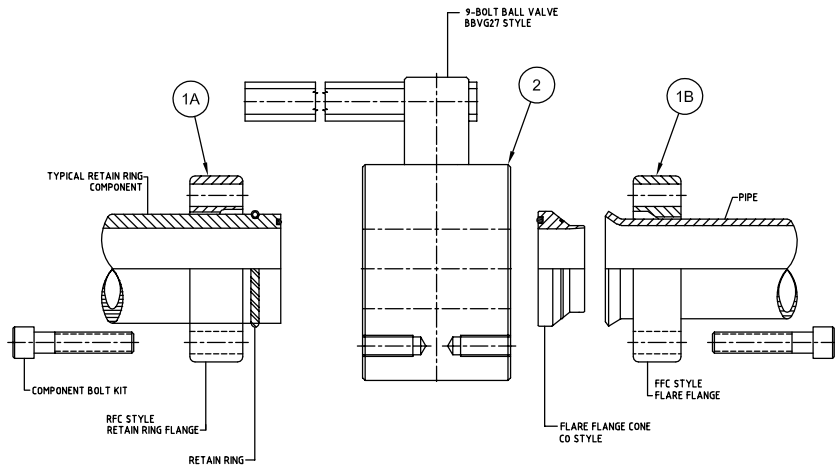
Size	Bolt Kit Part No.	Bolt Torque ft.lbs.
1/2"	BK-BWFO-BWFF-64-050-SC-HLW	16-18
3/4"	BK-BWFO-BWFF-64-075-SC-HLW	25-30
1"	BK-BWFO-BWFF-64-100-SC-HLW	45-50
1 1/4"	BK-BWFO-BWFF-64-125-SC-HLW	85-90
1 1/2"	BK-BWFO-BWFF-64-150-SC-HLW	110-120
2"	BK-BWFO-BWFF-64-200-SC-HLW	120-130



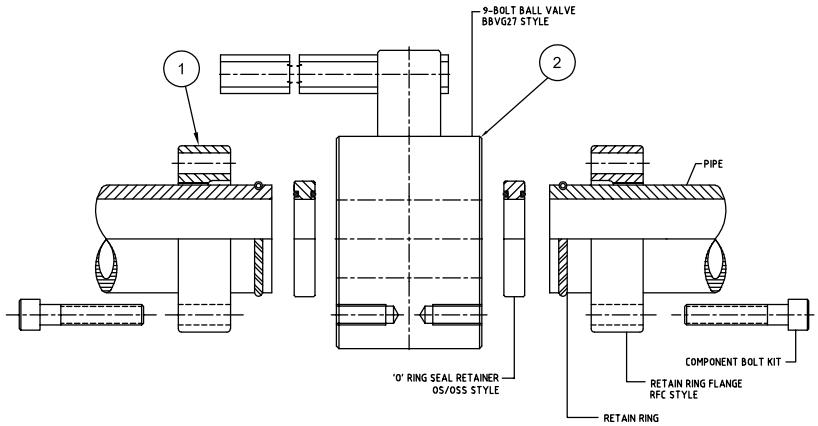
# Bolt Kits - 9-Bolt Ball Valve (BBVG27)

## Connections

### 'O' Ring Face Connections



### Retain Ring Pipe Connection



### TMI® 9-Bolt - 'O' Ring Face Retain Ring Component Connection

Size	Bolt Kit Part No.	Bolt Torque ft.lbs.
2 1/2"	BK-RFC-BV-49-250	85-90
3"	BK-RFC-BV-49-300	110-120
4"	BK-RFC-OSHS-BV-49-400	110-120

Note: Must use OSHS with 4" Connection

### TMI® 9-Bolt - O-Ring Face Flare Flange Connection

Size	Bolt Kit Part No.	Bolt Torque ft.lbs.
2 1/2"	BK-FFC-BV-49-250	85-90
3"	BK-FFC-BV-49-300	110-120

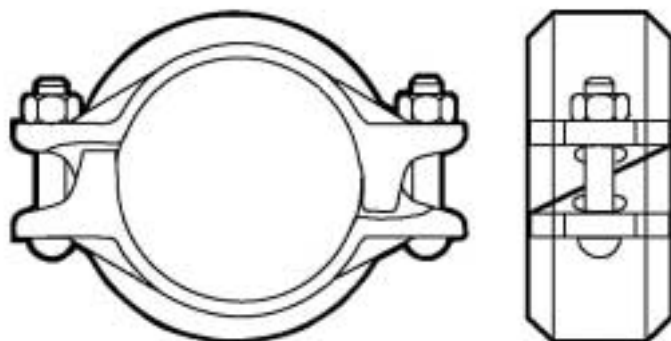
### TMI® 9-Bolt - Retain Ring Pipe Connection

Size	Bolt Kit Part No.	Bolt Torque ft.lbs.
2 1/2"	BK-RFC-OS-BV-49-250	85 - 90
3"	BK-RFC-OS-BV-49-300	110 - 120
4"	BK-RFC-OSS-BV-49-400	110 - 120
5"	BK-RFC-OSA-BV-49-500	120 - 130



# Bolt Kits - Roll/Cut Grooved

Zero-Flex® Coupling Bolts



---

## Standard Rigid Grooved Coupling - 2-Bolt Oval Neck Configuration Style

Complete with Extra Heavy Nut

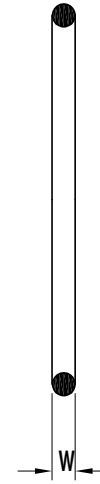
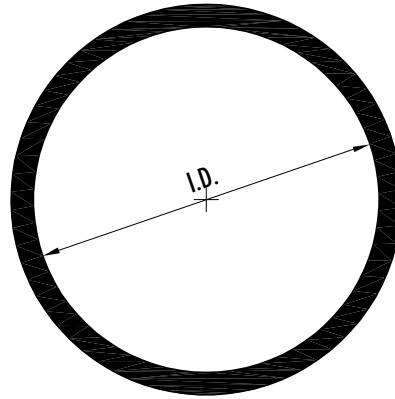
Size	Bolt Kit Part No.
2 1/2"	BKG2-0.50 x 2.75-N
3"	BKG2-0.50 x 2.50-N
4"	BKG2-0.50 x 2.75-N
5"	BKG2-0.63 x 3.25-N
6"	BKG2-0.63 x 3.25-N
8"	BKG2-0.75 x 3.25-N

**MATERIAL:** CARBON STEEL, (STAINLESS STEEL AND OTHER ALLOYS ARE AVAILABLE UPON REQUEST)



# Elastomer Seals

## 'O' Ring



## OR 'O' Ring

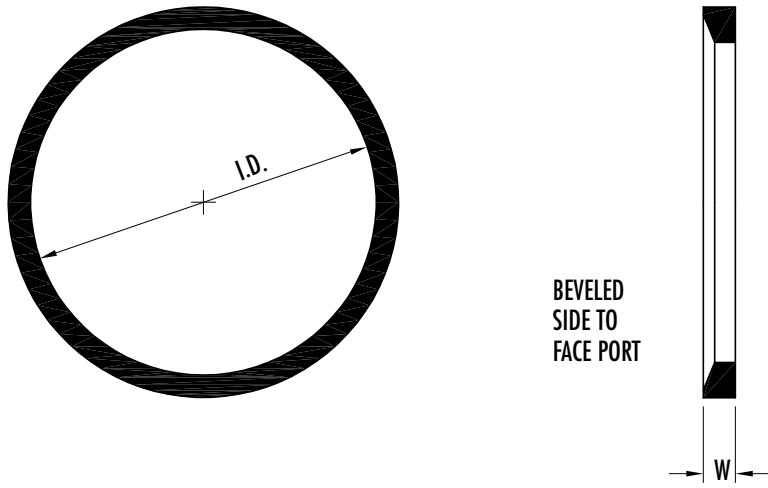
'O' Ring (BUNA) Part No.	'O' Ring (VITON) Part No.	Dimensions(in) I.D. x W
OR-2-210	ORV-2-210	.734 x .139
OR-2-214	ORV-2-214	.984 x .139
OR-2-219	ORV-2-219	1.296 x .139
OR-2-222	ORV-2-222	1.484 x .139
OR-2-225	ORV-2-225	1.859 x .139
OR-2-228	ORV-2-228	2.234 x .139
OR-2-232	ORV-2-232	2.734 x .139
OR-2-237	ORV-2-237	3.359 x .139
OR-2-241	ORV-2-241	3.859 x .139
OR-2-243	ORV-2-243	4.109 x .139
OR-2-245	ORV-2-245	4.359 x .139
OR-2-253	ORV-2-253	5.359 x .139
OR-2-259	ORV-2-259	6.234 x .139
OR-2-353	ORV-2-353	4.975 x .210
OR-2-359	ORV-2-359	5.725 x .210
OR-2-368	ORV-2-368	7.725 x .210
OR-2-372	ORV-2-372	8.725 x .210
OR-3-906	ORV-3-906	.468 x .078
OR-3-908	ORV-3-908	.644 x .087
OR-3-909	ORV-3-909	.706 x .097
OR-3-910	ORV-3-910	.755 x .097
OR-3-912	ORV-3-912	.924 x .116
OR-3-913	ORV-3-913	.986 x .116
OR-3-916	ORV-3-916	1.171 x .116
OR-3-918	ORV-3-918	1.355 x .116
OR-3-920	ORV-3-920	1.475 x .118
OR-3-924	ORV-3-924	1.720 x .118
OR-3-928	ORV-3-928	2.090 x .118
OR-3-932	ORV-3-932	2.337 x .118

'O' Ring (BUNA) Part No.	'O' Ring (VITON) Part No.	Dimensions(mm) I.D. x W
OR-1715	ORV-1715	17 x 1.5
OR-1915	ORV-1915	19 x 1.5
OR-2315	ORV-2315	23 x 1.5
OR-2515	ORV-2515	25 x 1.5
OR-2815	ORV-2815	28 x 1.5
OR-3015	ORV-3015	30 x 1.5
OR-3815	ORV-3815	38 x 1.5
OR-4315	ORV-4315	43 x 1.5
OR-5615	ORV-5615	56 x 1.5
OR-6515	ORV-6515	65 x 1.5
OR-8015	ORV-8015	80 x 1.5

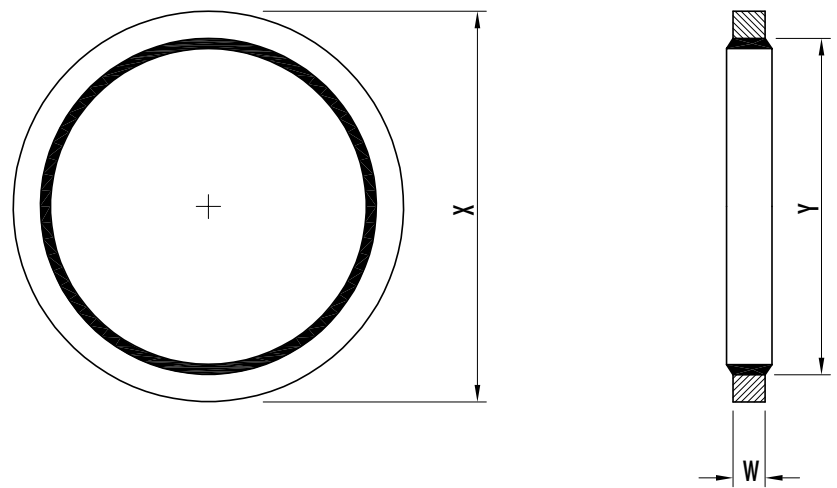
# Elastomer Seals



## 'D' Ring



## Bonded Seal



## DR 'D' Ring

'D' Ring (BUNA) Part No.	'D' Ring (VITON) Part No.	Dimensions(mm) I.D. x W
DR-G050	DRV-G050	18.5 x 1.5
DR-G075	DRV-G075	23.9 x 1.5
DR-G100	DRV-G100	29.7 x 2
DR-G125	DRV-G125	38.8 x 2
DR-G150	DRV-G150	44.7 x 2

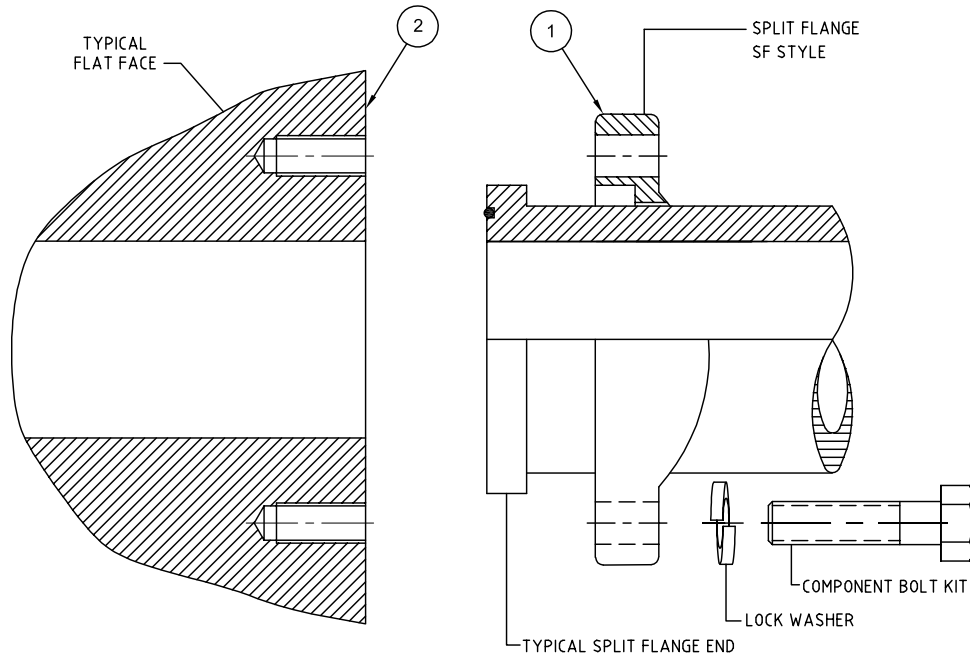
## BS Bonded Seal

Bonded Seal (BUNA) Part No.	Bonded Seal (VITON) Part No.	Dimensions (in)		
		X	Y	W
BS-3236	BSV-3236	2.875	2.380	.128



# Bolt Kits - SAE Split Flange

## Split Flange to Component



### SAE Code 61 - 4-Bolt Flange Connection

Size	Bolt Kit Part No.	Bolt Torque ft.lbs.
1/2"	BK-SF-COMP-34-050-HH-LW	16-18
3/4"	BK-SF-COMP-34-075-HH-LW	25-30
1"	BK-SF-COMP-34-100-HH-LW	25-30
1 1/4"	BK-SF-COMP-34-125-HH-LW	45-50
1 1/2"	BK-SF-COMP-34-150-HH-LW	85-90
2"	BK-SF-COMP-34-200-HH-LW	85-90
2 1/2"	BK-SF-COMP-34-250-HH-LW	85-90
3"	BK-SF-COMP-34-300-HH-LW	110-120
4"	BK-SF-COMP-34-400-HH-LW	110-120

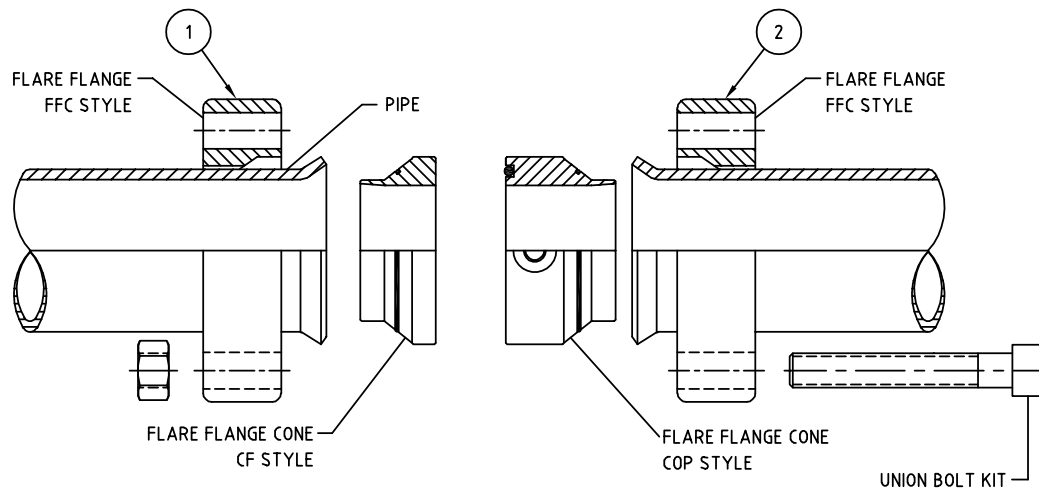
### SAE Code 62 - 4-Bolt Flange Connection

Size	Bolt Kit Part No.	Bolt Torque ft.lbs.
1/2"	BK-SF-COMP-64-050-HH-LW	16-18
3/4"	BK-SF-COMP-64-075-HH-LW	25-30
1"	BK-SF-COMP-64-100-HH-LW	45-50
1 1/4"	BK-SF-COMP-64-125-HH-LW	85-90
1 1/2"	BK-SF-COMP-64-150-HH-LW	110-120
2"	BK-SF-COMP-64-200-HH-LW	120-130



# Bolt Kits - Flare Flange with Pilot Port Connection

Union Style - 'O' Ring Face Cone with Pilot Port



## SAE Code 61 - 4-Bolt Flange Connection

Size	Bolt Kit Part No.	Bolt Torque ft.lbs.
1/2"	BK-FFC-COP-FFC-34-050-N-SC	16 - 18
3/4"	BK-FFC-COP-FFC-34-075-N-SC	25 - 30
1"	BK-FFC-COP-FFC-34-100-N-SC	25 - 30
1 1/4"	BK-FFC-COP-FFC-34-125-N-SC	45 - 50
1 1/2"	BK-FFC-COP-FFC-34-150-N-SC	85 - 90
2"	BK-FFC-COP-FFC-34-200-N-SC	85 - 90
2 1/2"	BK-FFC-COP-FFC-34-250-N-SC	85 - 90
3"	BK-FFC-COP-FFC-34-300-N-SC	110 - 120

## SAE Code 62 - 4-Bolt Flange Connection

Size	Bolt Kit Part No.	Bolt Torque ft.lbs.
1/2"	BK-FFC-COP-FFC-64-050-N-SC	16-18
3/4"	BK-FFC-COP-FFC-64-075-N-SC	25-30
1"	BK-FFC-COP-FFC-64-100-N-SC	45-50
1 1/4"	BK-FFC-COP-FFC-64-125-N-SC	85-90
1 1/2"	BK-FFC-COP-FFC-64-150-N-SC	110-120
2"	BK-FFC-COP-FFC-64-200-N-SC	120-130

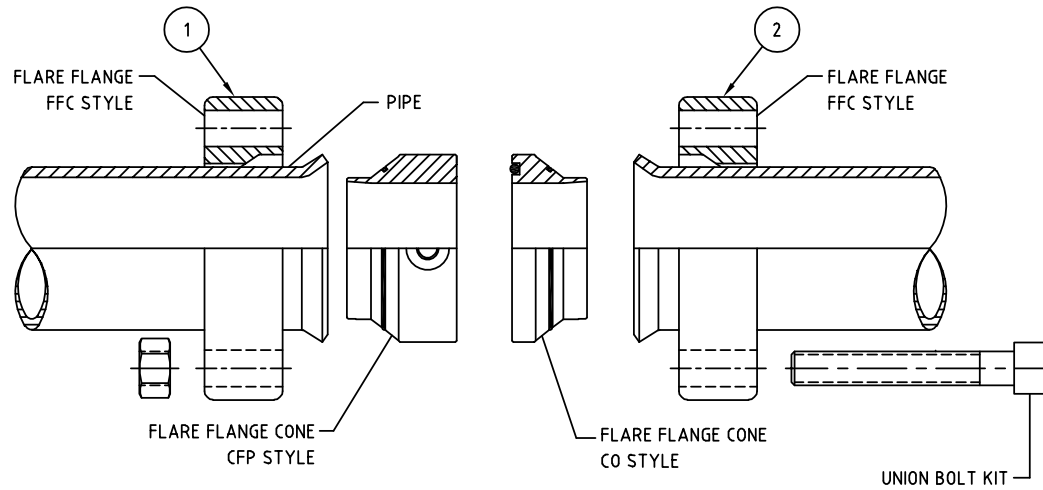
## ISO 6164 - 4-Bolt Flange Connection

Size	Bolt Kit Part No.	Bolt Torque ft.lbs.
2 1/2"	BK-FFC-COP-FFC-74-250-N-SC	120 - 130
3"	BK-FFC-COP-FFC-74-300-N-HH	350 - 400



# Bolt Kits - Flare Flange with Pilot Port Connection

Union Style - Flat Face Cone with Pilot Port



## SAE Code 61 - 4-Bolt Flange Connection

Size	Bolt Kit Part No.	Bolt Torque ft.lbs.
1/2"	BK-FFC-CFP-FFC-34-050-N-SC	16 - 18
3/4"	BK-FFC-CFP-FFC-34-075-N-SC	25 - 30
1"	BK-FFC-CFP-FFC-34-100-N-SC	25 - 30
1 1/4"	BK-FFC-CFP-FFC-34-125-N-SC	45 - 50
1 1/2"	BK-FFC-CFP-FFC-34-150-N-SC	85 - 90
2"	BK-FFC-CFP-FFC-34-200-N-SC	85 - 90
2 1/2"	BK-FFC-CFP-FFC-34-250-N-SC	85 - 90
3"	BK-FFC-CFP-FFC-34-300-N-SC	110 - 120

## SAE Code 62 - 4-Bolt Flange Connection

Size	Bolt Kit Part No.	Bolt Torque ft.lbs.
1/2"	BK-FFC-CFP-FFC-64-050-N-SC	16-18
3/4"	BK-FFC-CFP-FFC-64-075-N-SC	25-30
1"	BK-FFC-CFP-FFC-64-100-N-SC	45-50
1 1/4"	BK-FFC-CFP-FFC-64-125-N-SC	85-90
1 1/2"	BK-FFC-CFP-FFC-64-150-N-SC	110-120
2"	BK-FFC-CFP-FFC-64-200-N-SC	120-130

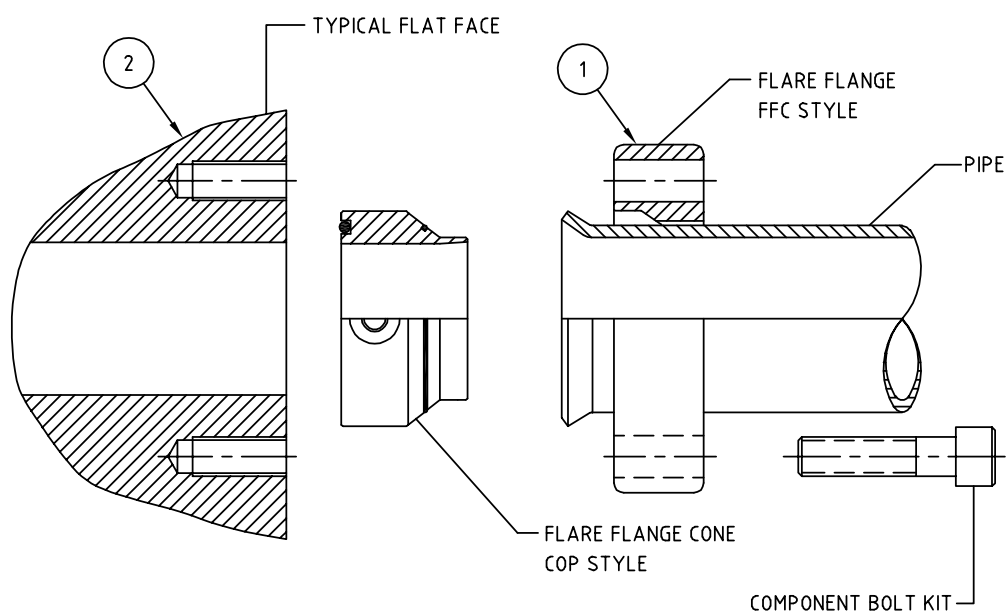
## ISO 6164 - 4-Bolt Flange Connection

Size	Bolt Kit Part No.	Bolt Torque ft.lbs.
2 1/2"	BK-FFC-CFP-FFC-74-250-N-SC	120 - 130
3"	BK-FFC-CFP-FFC-74-300-N-HH	350 - 400



# Bolt Kits - Flare Flange with Pilot Port Connection

Flare Flange to Flat Face Component



## SAE Code 61 - 4-Bolt Flange Connection

Size	Bolt Kit Part No.	Bolt Torque ft.lbs.
1/2"	BK-FFC-COP-COMP-34-050-SC	16 - 18
3/4"	BK-FFC-COP-COMP-34-075-SC	25 - 30
1"	BK-FFC-COP-COMP-34-100-SC	25 - 30
1 1/4"	BK-FFC-COP-COMP-34-125-SC	45 - 50
1 1/2"	BK-FFC-COP-COMP-34-150-SC	85 - 90
2"	BK-FFC-COP-COMP-34-200-SC	85 - 90
2 1/2"	BK-FFC-COP-COMP-34-250-SC	85 - 90
3"	BK-FFC-COP-COMP-34-300-SC	110 - 120

## SAE Code 62 - 4-Bolt Flange Connection

Size	Bolt Kit Part No.	Bolt Torque ft.lbs.
1/2"	BK-FFC-COP-COMP-64-050-SC	16-18
3/4"	BK-FFC-COP-COMP-64-075-SC	25-30
1"	BK-FFC-COP-COMP-64-100-SC	45-50
1 1/4"	BK-FFC-COP-COMP-64-125-SC	85-90
1 1/2"	BK-FFC-COP-COMP-64-150-SC	110-120
2"	BK-FFC-COP-COMP-64-200-SC	120-130

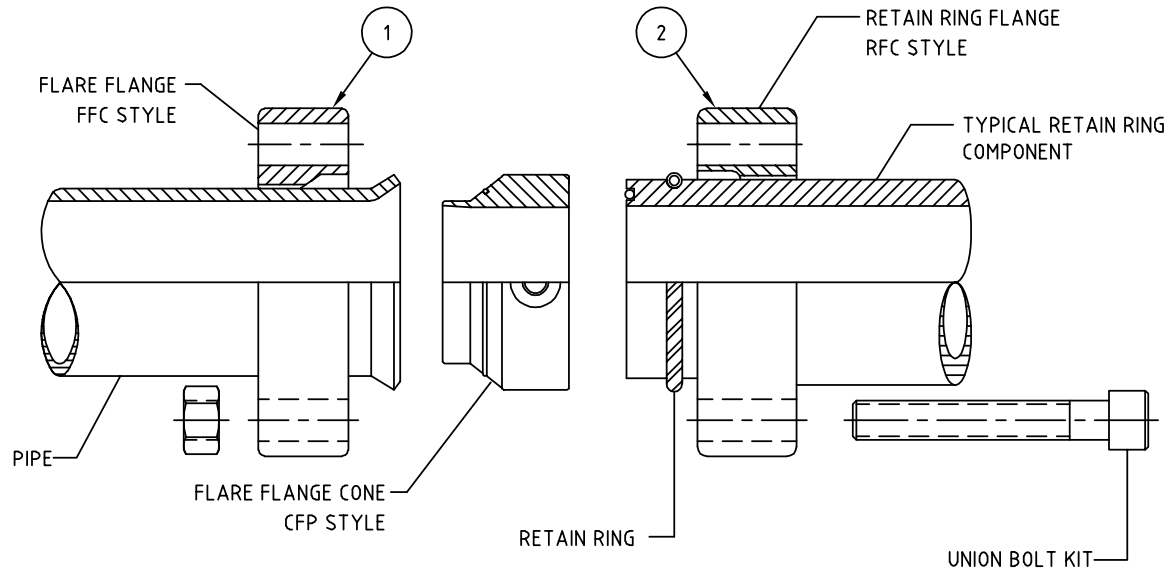
## ISO 6164 - 4-Bolt Flange Connection

Size	Bolt Kit Part No.	Bolt Torque ft.lbs.
2 1/2"	BK-FFC-COP-COMP-74-250-SC	120 - 130
3"	BK-FFC-COP-COMP-74-300-HH	350 - 400



# Bolt Kits - Flare Flange with Pilot Port Connection

Flare Flange to Flat Face Component



## SAE Code 61 - 4-Bolt Flange Connection

Size	Bolt Kit Part No.	Bolt Torque ft.lbs.
1/2"	BK-FFC-CFP-RFC-34-050-N-SC	16 - 18
3/4"	BK-FFC-CFP-RFC-34-075-N-SC	25 - 30
1"	BK-FFC-CFP-RFC-34-100-N-SC	25 - 30
1 1/4"	BK-FFC-CFP-RFC-34-125-N-SC	45 - 50
1 1/2"	BK-FFC-CFP-RFC-34-150-N-SC	85 - 90
2"	BK-FFC-CFP-RFC-34-200-N-SC	85 - 90
2 1/2"	BK-FFC-CFP-RFC-34-250-N-SC	85 - 90
3"	BK-FFC-CFP-RFC-34-300-N-SC	110 - 120

## SAE Code 62 - 4-Bolt Flange Connection

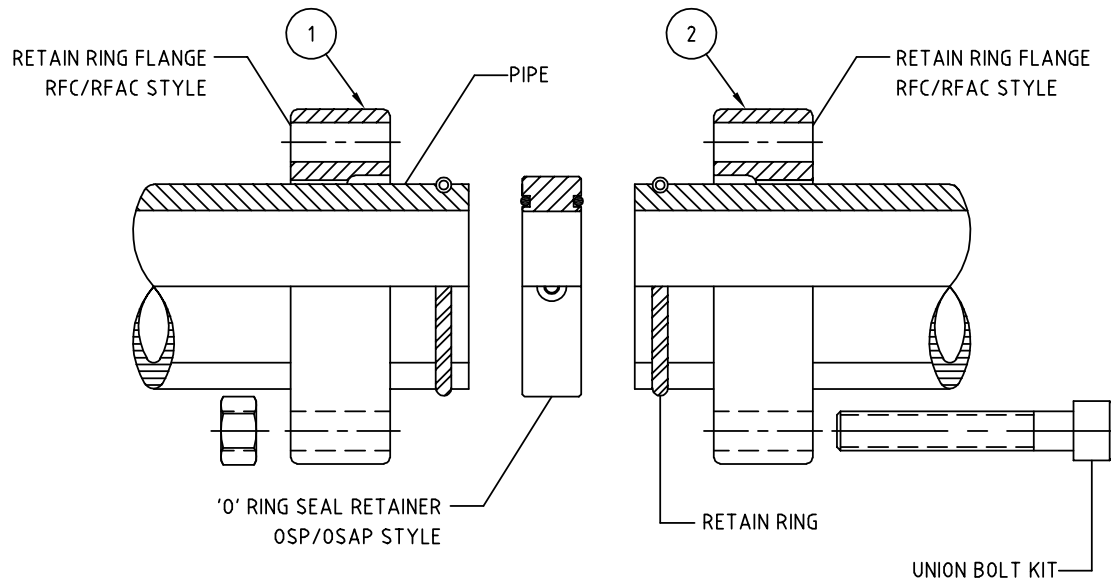
Size	Bolt Kit Part No.	Bolt Torque ft.lbs.
1/2"	BK-FFC-CFP-RFC-64-050-N-SC	16-18
3/4"	BK-FFC-CFP-RFC-64-075-N-SC	25-30
1"	BK-FFC-CFP-RFC-64-100-N-SC	45-50
1 1/4"	BK-FFC-CFP-RFC-64-125-N-SC	85-90
1 1/2"	BK-FFC-CFP-RFC-64-150-N-SC	110-120
2"	BK-FFC-CFP-RFC-64-200-N-SC	120-130

## ISO 6164 - 4-Bolt Flange Connection

Size	Bolt Kit Part No.	Bolt Torque ft.lbs.
2 1/2"	BK-FFC-CFP-RFC-74-250-N-SC	120 - 130
3"	BK-FFC-CFP-RFC-74-300-N-HH	350 - 400

# Bolt Kits - Retain Ring Flange with Pilot Port Connection

Pipe Union



## SAE Code 61 - 4-Bolt Flange Connection

Size	Bolt Kit Part No.	Bolt Torque ft.lbs.
1 1/2"	BK-RFC-OSP-RFC-34-150-N-SC	85 - 90
2"	BK-RFC-OSP-RFC-34-200-N-SC	85 - 90
2 1/2"	BK-RFC-OSP-RFC-34-250-N-SC	85 - 90
3"	BK-RFC-OSP-RFC-34-300-N-SC	110 - 120

## SAE Code 62 - 4-Bolt Flange Connection

Size	Bolt Kit Part No.	Bolt Torque ft.lbs.
1 1/2"	BK-RFC-OSP-RFC-64-150-N-SC	120 - 130
2"	BK-RFC-OSP-RFC-64-200-N-SC	350 - 400

## ISO 6164 - 4-Bolt Flange Connection

Size	Bolt Kit Part No.	Bolt Torque ft.lbs.
2 1/2"	BK-RFC-OSP-RFC-74-250-N-SC	120-130
3"	BK-RFC-OSP-RFC-74-300-N-HH	350-400
4"	BK-RFC-OSP-RFC-74-400-N-N	500-550

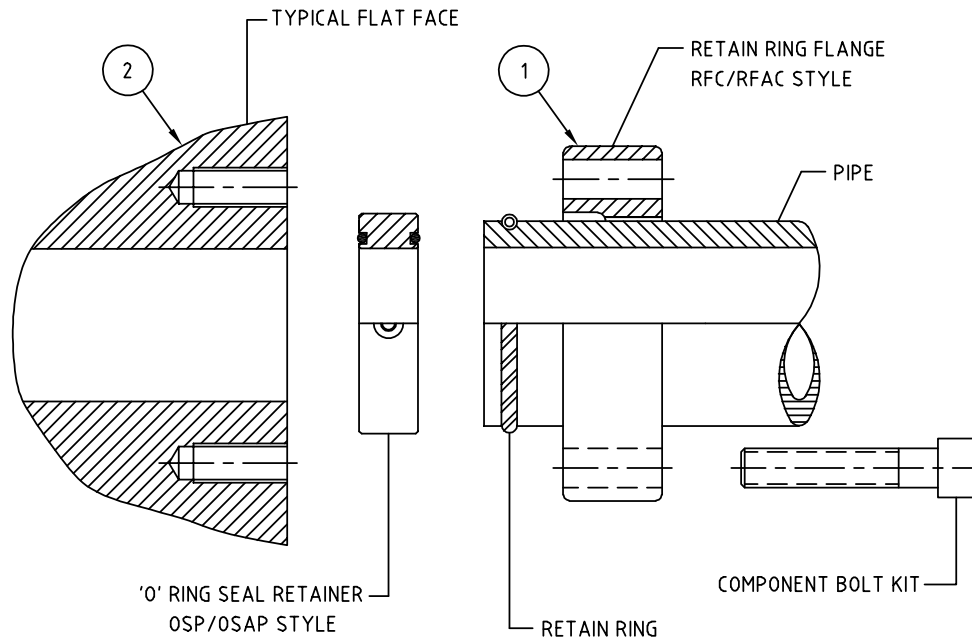
## TMI® 8-Bolt - Flange Connection

Size	Bolt Kit Part No.	Bolt Torque ft.lbs.
5"	BK-RFAC-OSAP-RFAC-48-500-N-HH	350-400
6"	BK-RFAC-OSAP-RFAC-48-600-N-N	500-550
8"	BK-RFAC-OSAP-RFAC-48-800-N-N	1100-1200



# Bolt Kits - Retain Ring Flange with Pilot Port Connection

Pipe to Flat Face Component



## SAE Code 61 - 4-Bolt Flange Connection

Size	Bolt Kit Part No.	Bolt Torque ft.lbs.
1 1/2"	BK-RFC-OSP-COMP-34-150-SC	85 - 90
2"	BK-RFC-OSP-COMP-34-200-SC	85 - 90
2 1/2"	BK-RFC-OSP-COMP-34-250-SC	85 - 90
3"	BK-RFC-OSP-COMP-34-300-SC	110 - 120

## SAE Code 62 - 4-Bolt Flange Connection

Size	Bolt Kit Part No.	Bolt Torque ft.lbs.
1 1/2"	BK-RFC-OSP-COMP-64-150-SC	110 - 120
2"	BK-RFC-OSP-COMP-64-200-SC	120 - 130

## ISO 6164 - 4-Bolt Flange Connection

Size	Bolt Kit Part No.	Bolt Torque ft.lbs.
2 1/2"	BK-RFC-OSP-COMP-74-250-SC	120-130
3"	BK-RFC-OSP-COMP-74-300-HH	350-400
4"	BK-RFC-OSP-COMP-74-400-HH	500-550

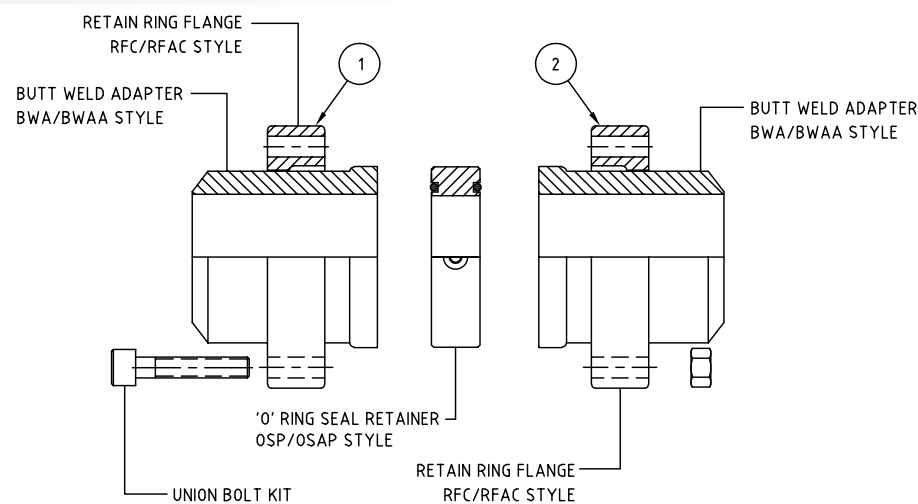
## TMI® 8-Bolt - Flange Connection

Size	Bolt Kit Part No.	Bolt Torque ft.lbs.
5"	BK-RFAC-OSAP-COMP-48-500-HH	350-400
6"	BK-RFAC-OSAP-COMP-48-600-HH	500-550
8"	BK-RFAC-OSAP-COMP-48-800-HH	1100-1200



# Bolt Kits - Retain Ring Flange with Pilot Port Connection

## Butt Weld Adapter Union



### SAE Code 61 - 4-Bolt Flange Connection

Size	Bolt Kit Part No.	Bolt Torque ft.lbs.
1/2"	BK-RFC-OSP-RFC-34-050-N-SC	16 - 18
3/4"	BK-RFC-OSP-RFC-34-075-N-SC	25 - 30
1"	BK-RFC-OSP-RFC-34-100-N-SC	25 - 30
1 1/4"	BK-RFC-OSP-RFC-34-125-N-SC	45 - 50
1 1/2"	BK-RFC-OSP-RFC-34-150-N-SC	85 - 90
2"	BK-RFC-OSP-RFC-34-200-N-SC	85 - 90
2 1/2"	BK-RFC-OSP-RFC-34-250-N-SC	85 - 90
3"	BK-RFC-OSP-RFC-34-300-N-SC	110 - 120

### SAE Code 62 - 4-Bolt Flange Connection

Size	Bolt Kit Part No.	Bolt Torque ft.lbs.
1/2"	BK-RFC-OSP-RFC-64-050-N-SC	16-18
3/4"	BK-RFC-OSP-RFC-64-075-N-SC	25-30
1"	BK-RFC-OSP-RFC-64-100-N-SC	45-50
1 1/4"	BK-RFC-OSP-RFC-64-125-N-SC	85-90
1 1/2"	BK-RFC-OSP-RFC-64-150-N-SC	110-120
2"	BK-RFC-OSP-RFC-64-200-N-SC	120-130

### ISO 6164 - 4-Bolt Flange Connection

Size	Bolt Kit Part No.	Bolt Torque ft.lbs.
2 1/2"	BK-RFC-OSP-RFC-74-250-N-SC	120-130
3"	BK-RFC-OSP-RFC-74-300-N-HH	350-400
4"	BK-RFC-OSP-RFC-74-400-N-N	500-550

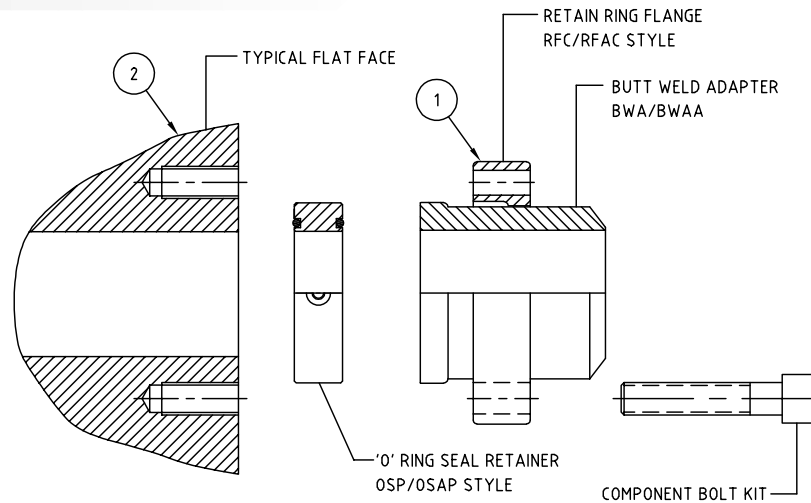
### TMI® 8-Bolt - Flange Connection

Size	Bolt Kit Part No.	Bolt Torque ft.lbs.
5"	BK-RFAC-OSAP-RFAC-48-500-N-HH	350-400
6"	BK-RFAC-OSAP-RFAC-48-600-N-N	500-550
8"	BK-RFAC-OSAP-RFAC-48-800-N-N	1100-1200



# Bolt Kits - Retain Ring Flange with Pilot Port Connection

Butt Weld Adapter to Flat Face Component



## SAE Code 61 - 4-Bolt Flange Connection

Size	Bolt Kit Part No.	Bolt Torque ft.lbs.
1/2"	BK-RFC-OSP-COMP-34-050-SC	16 - 18
3/4"	BK-RFC-OSP-COMP-34-075-SC	25 - 30
1"	BK-RFC-OSP-COMP-34-100-SC	25 - 30
1 1/4"	BK-RFC-OSP-COMP-34-125-SC	45 - 50
1 1/2"	BK-RFC-OSP-COMP-34-150-SC	85 - 90
2"	BK-RFC-OSP-COMP-34-200-SC	85 - 90
2 1/2"	BK-RFC-OSP-COMP-34-250-SC	85 - 90
3"	BK-RFC-OSP-COMP-34-300-SC	110 - 120

## SAE Code 62 - 4-Bolt Flange Connection

Size	Bolt Kit Part No.	Bolt Torque ft.lbs.
1/2"	BK-RFC-OSP-COMP-64-050-SC	16-18
3/4"	BK-RFC-OSP-COMP-64-075-SC	25-30
1"	BK-RFC-OSP-COMP-64-100-SC	45-50
1 1/4"	BK-RFC-OSP-COMP-64-125-SC	85-90
1 1/2"	BK-RFC-OSP-COMP-64-150-SC	110-120
2"	BK-RFC-OSP-COMP-64-200-SC	120-130

## ISO 6164 - 4-Bolt Flange Connection

Size	Bolt Kit Part No.	Bolt Torque ft.lbs.
2 1/2"	BK-RFC-OSP-COMP-74-250-SC	120-130
3"	BK-RFC-OSP-COMP-74-300-HH	350-400
4"	BK-RFC-OSP-COMP-74-400-HH	500-550

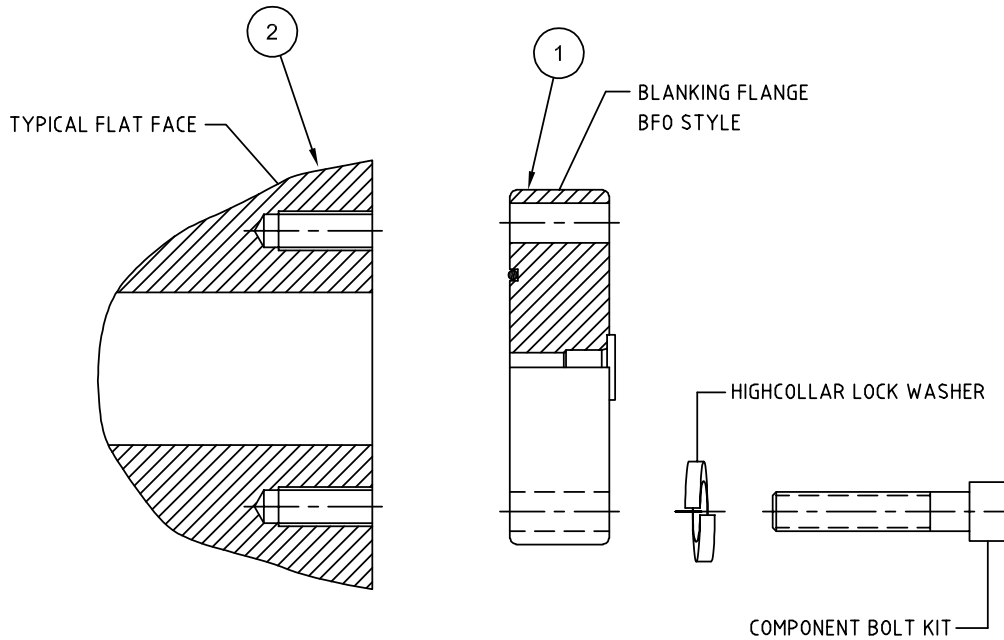
## TMI® 8-Bolt - Flange Connection

Size	Bolt Kit Part No.	Bolt Torque ft.lbs.
5"	BK-RFAC-OSAP-COMP-48-500-HH	350-400
6"	BK-RFAC-OSAP-COMP-48-600-HH	500-550
8"	BK-RFAC-OSAP-COMP-48-800-HH	1100-1200



# Bolt Kits - Blanking Flange to Flat Face Component

SAE Code 61, SAE Code 62, ISO 6164



## SAE Code 61 - 4-Bolt Flange Connection

Size	Bolt Kit Part No.	Bolt Torque ft.lbs.
1/2"	BK-BFO-COMP-34-050-SC-HLW	16-18
3/4"	BK-BFO-COMP-34-075-SC-HLW	25-30
1"	BK-BFO-COMP-34-100-SC-HLW	25-30
1 1/4"	BK-BFO-COMP-34-125-SC-HLW	45-50
1 1/2"	BK-BFO-COMP-34-150-SC-HLW	85-90
2"	BK-BFO-COMP-34-200-SC-HLW	85-90
2 1/2"	BK-BFO-COMP-34-250-SC-HLW	85-90
3"	BK-BFO-COMP-34-300-SC-HLW	110-120
4"	BK-BFO-COMP-34-400-SC-HLW	110-120

## SAE Code 62 - 4-Bolt Flange Connection

Size	Bolt Kit Part No.	Bolt Torque ft.lbs.
1/2"	BK-BFO-COMP-64-050-SC-HLW	16-18
3/4"	BK-BFO-COMP-64-075-SC-HLW	25-30
1"	BK-BFO-COMP-64-100-SC-HLW	45-50
1 1/4"	BK-BFO-COMP-64-125-SC-HLW	85-90
1 1/2"	BK-BFO-COMP-64-150-SC-HLW	110-120
2"	BK-BFO-COMP-64-200-SC-HLW	120-130

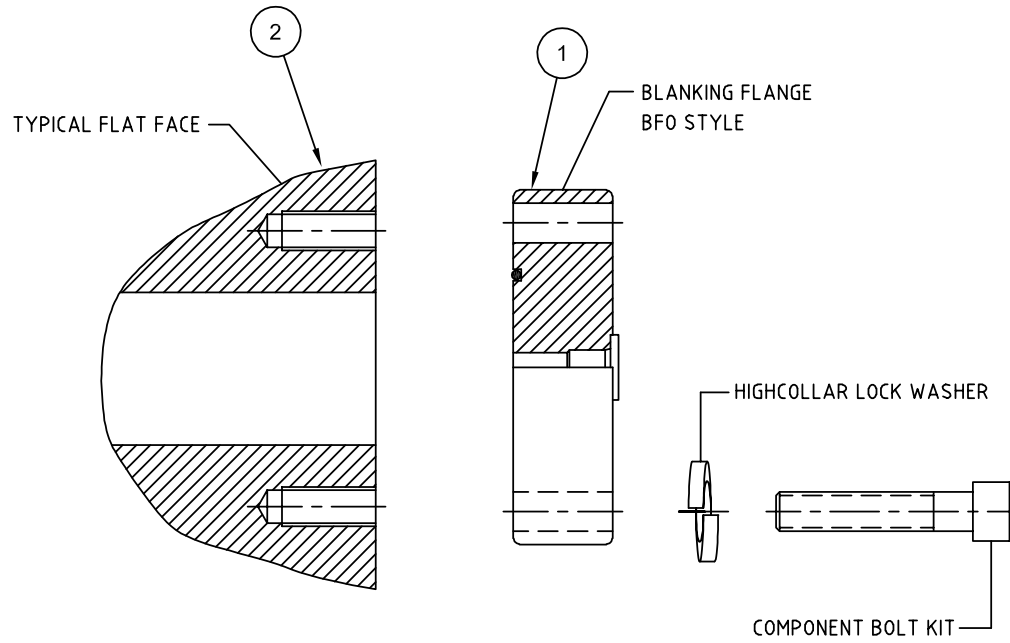
## ISO 6164 - 4-Bolt Flange Connection

Size	Bolt Kit Part No.	Bolt Torque ft.lbs.
2 1/2"	BK-BFO-COMP-74-250-SC-HLW	120-130
3"	BK-BFO-COMP-74-300-SC-HLW	350-400
4"	BK-BFO-COMP-74-300-SC-HLW	500-550



# Bolt Kits - Blanking Flange to Flat Face Component

TMI 8-Bolt, TMI 9-Bolt



## TMI® 8-Bolt - Flange Connection

Size	Bolt Kit Part No.	Bolt Torque ft.lbs.
5"	BK-BFO-COMP-48-500-SC-HLW	350-400
6"	BK-BFO-COMP-48-600-SC-HLW	350-400
8"	BK-BFO-COMP-48-800-SC-HLW	350-400

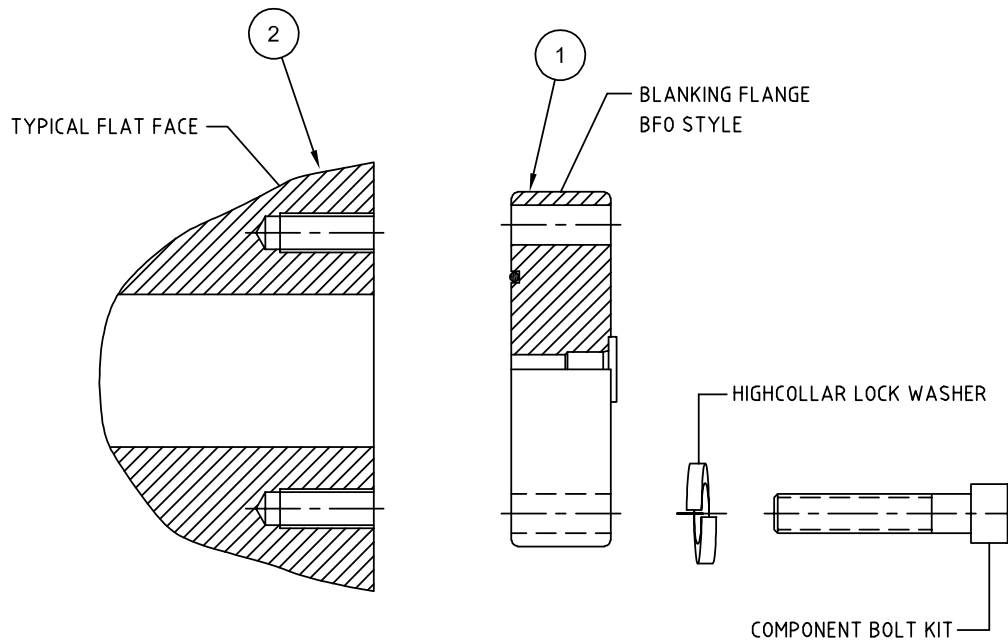
## TMI® 9-Bolt - Flange Connection

Size	Bolt Kit Part No.	Bolt Torque ft.lbs.
2 1/2"	BK-BFO-COMP-49-250-SC-HLW	85-90
3"	BK-BFO-COMP-49-300-SC-HLW	110-120
4"	BK-BFO-COMP-49-400-SC-HLW	110-120
5"	BK-BFO-COMP-49-500-SC-HLW	120-130



# Bolt Kits - Low Pressure Blanking Flange to Flat Face Component

TMI 6-Bolt, TMI 8-Bolt



## TMI® 6-Bolt - Flange Connection

Size	Bolt Kit Part No.	Bolt Torque ft.lbs.
2 1/2"	BK-BFO-COMP-16-250-SC-HLW	85-90
3"	BK-BFO-COMP-16-300-SC-HLW	110-120
4"	BK-BFO-COMP-16-400-SC-HLW	110-120
5"	BK-BFO-COMP-16-500-SC-HLW	110-120
6"	BK-BFO-COMP-16-600-SC-HLW	110-120

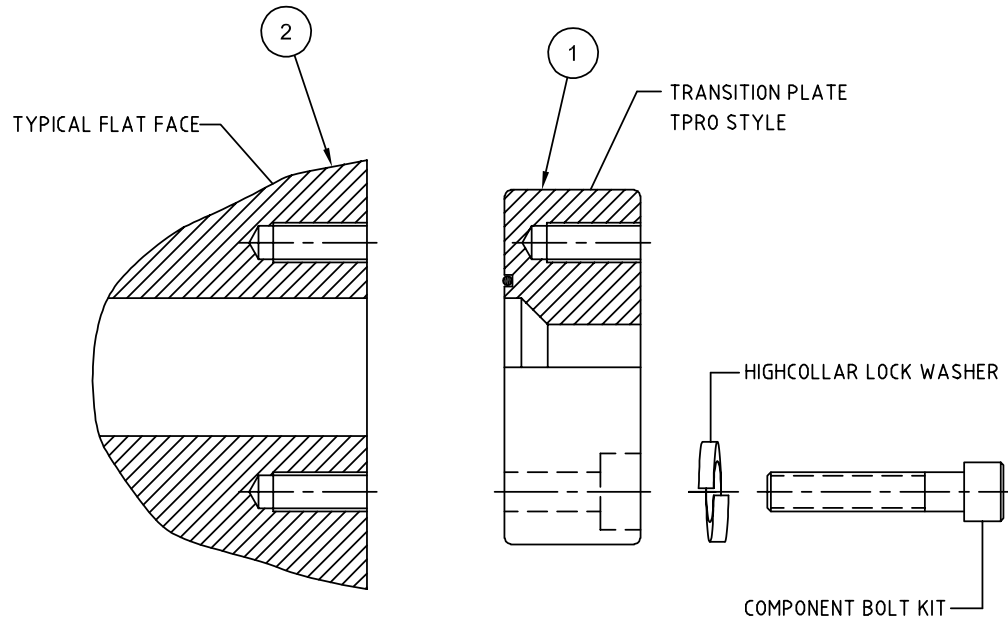
## TMI® 8-Bolt - Flange Connection

Size	Bolt Kit Part No.	Bolt Torque ft.lbs.
8"	BK-BFO-COMP-18-800-SC-HLW	120-130



# Bolt Kits - Transition Plate Reducer

Manifold Mount Style to Flat Face Component - SAE Code 61



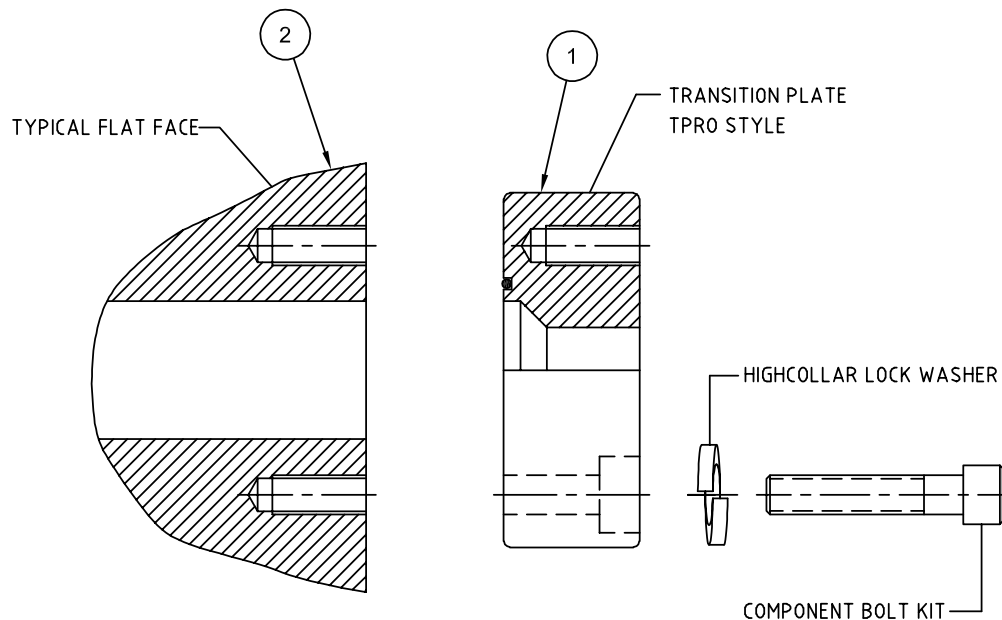
## SAE Code 61 - 4-Bolt Flange Connection

Size	Bolt Kit Part No.	Bolt Torque ft.lbs.
3/4"x1/2"	BK-TPRO-COMP-34-075x050-SC-HLW	25-30
1"x1/2"	BK-TPRO-COMP-34-100x050-SC-HLW	25-30
1"x3/4"	BK-TPRO-COMP-34-100x075-SC-HLW	25-30
1 1/4"x3/4"	BK-TPRO-COMP-34-125x075-SC-HLW	45-50
1 1/4"x1"	BK-TPRO-COMP-34-125x100-SC-HLW	45-50
1 1/2"x 1"	BK-TPRO-COMP-34-150x100-SC-HLW	85-90
1 1/2"x1 1/4"	BK-TPRO-COMP-34-150x125-SC-HLW	85-90
2"x1 1/4"	BK-TPRO-COMP-34-200x125-SC-HLW	85-90
2"x1 1/2"	BK-TPRO-COMP-34-200x150-SC-HLW	85-90
2 1/2"x 1 1/2"	BK-TPRO-COMP-34-250x150-SC-HLW	85-90
2 1/2"x2"	BK-TPRO-COMP-34-250x200-SC-HLW	85-90
3"x2"	BK-TPRO-COMP-34-300x200-SC-HLW	110-120
3"x2 1/2"	BK-TPRO-COMP-34-300x250-SC-HLW	110-120



# Bolt Kits - Transition Plate Reducer

Manifold Mount Style to Flat Face Component - SAE Code 62, SAE Code 62-SAE Code 61



## SAE Code 62 - 4-Bolt Flange Connection

Size	Bolt Kit Part No.	Bolt Torque ft.lbs.
3/4"x1/2"	BK-TPRO-COMP-64-075x050-SC-HLW	25-30
1"x1/2"	BK-TPRO-COMP-64-100x050-SC-HLW	45-50
1"x3/4"	BK-TPRO-COMP-64-100x075-SC-HLW	45-50
1 1/4"x3/4"	BK-TPRO-COMP-64-125x075-SC-HLW	85-90
1 1/4"x1"	BK-TPRO-COMP-64-125x100-SC-HLW	85-90
1 1/2"x 1"	BK-TPRO-COMP-64-150x100-SC-HLW	110-120
1 1/2"x1 1/4"	BK-TPRO-COMP-64-150x125-SC-HLW	110-120
2"x1 1/4"	BK-TPRO-COMP-64-200x125-SC-HLW	120-130
2"x1 1/2"	BK-TPRO-COMP-64-200x150-SC-HLW	120-130

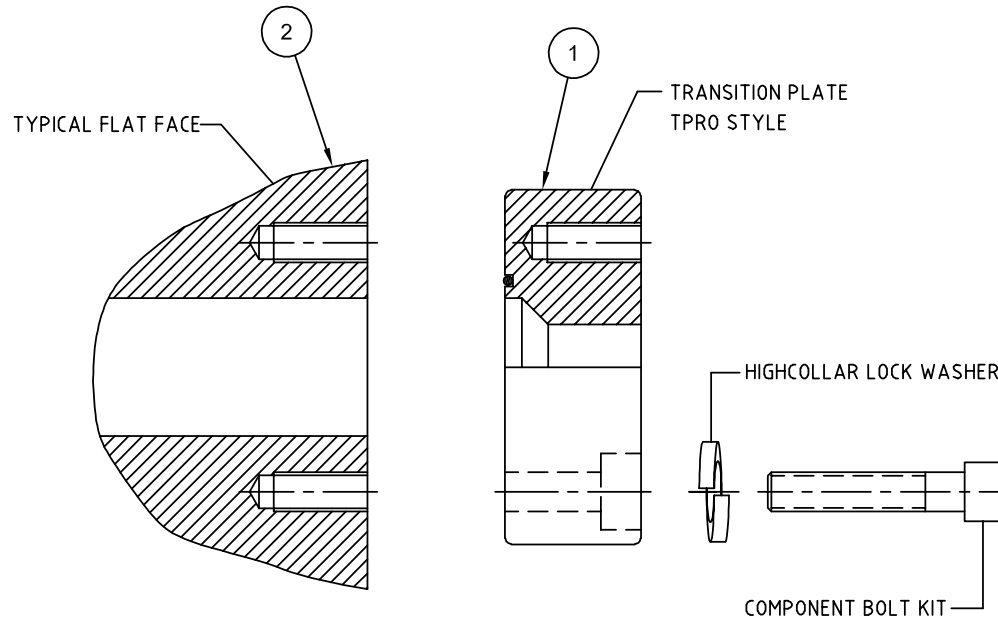
## SAE Code 62/Code 61 - 4-Bolt Flange Connection

Size	Bolt Kit Part No.	Bolt Torque ft.lbs.
3/4"x1/2"	BK-TPRO-COMP-6-34-075x050-SC-HLW	25-30
1"x1/2"	BK-TPRO-COMP-6-34-100x050-SC-HLW	45-50
1"x3/4"	BK-TPRO-COMP-6-34-100x075-SC-HLW	45-50
1 1/4"x3/4"	BK-TPRO-COMP-6-34-125x075-SC-HLW	85-90
1 1/4"x1"	BK-TPRO-COMP-6-34-125x100-SC-HLW	85-90
1 1/2"x 1"	BK-TPRO-COMP-6-34-150x100-SC-HLW	110-120
1 1/2"x1 1/4"	BK-TPRO-COMP-6-34-150x125-SC-HLW	110-120
2"x1 1/4"	BK-TPRO-COMP-6-34-200x125-SC-HLW	120-130
2"x1 1/2"	BK-TPRO-COMP-6-34-200x150-SC-HLW	120-130



# Bolt Kits - Transition Plate Reducer

Manifold Mount Style to Flat Face Component - ISO 6164, ISO 6164/SAE Code 61, ISO 6164/SAE Code 62



## ISO 6164 - 4-Bolt Flange Connection

Size	Bolt Kit Part No.	Bolt Torque ft.lbs.
3"x2 1/2"	BK-TPRO-COMP-74-300x250-SC-HLW	350-400
4"x2 1/2"	BK-TPRO-COMP-74-400x250-SC-HLW	500-550
4"x3"	BK-TPRO-COMP-74-400x300-SC-HLW	500-550

## ISO 6164/SAE Code 61 - 4-Bolt Flange Connection

Size	Bolt Kit Part No.	Bolt Torque ft.lbs.
2 1/2"x1 1/2"	BK-TPRO-COMP-7-34-250x150-SC-HLW	120-130
2 1/2"x2"	BK-TPRO-COMP-7-34-250x200-SC-HLW	120-130
3"x2"	BK-TPRO-COMP-7-34-300x200-SC-HLW	350-400
3"x2 1/2"	BK-TPRO-COMP-7-34-300x250-SC-HLW	350-400
4"x2 1/2"	BK-TPRO-COMP-7-34-400x250-SC-HLW	500-550
4"x 3"	BK-TPRO-COMP-7-34-400x300-SC-HLW	500-550

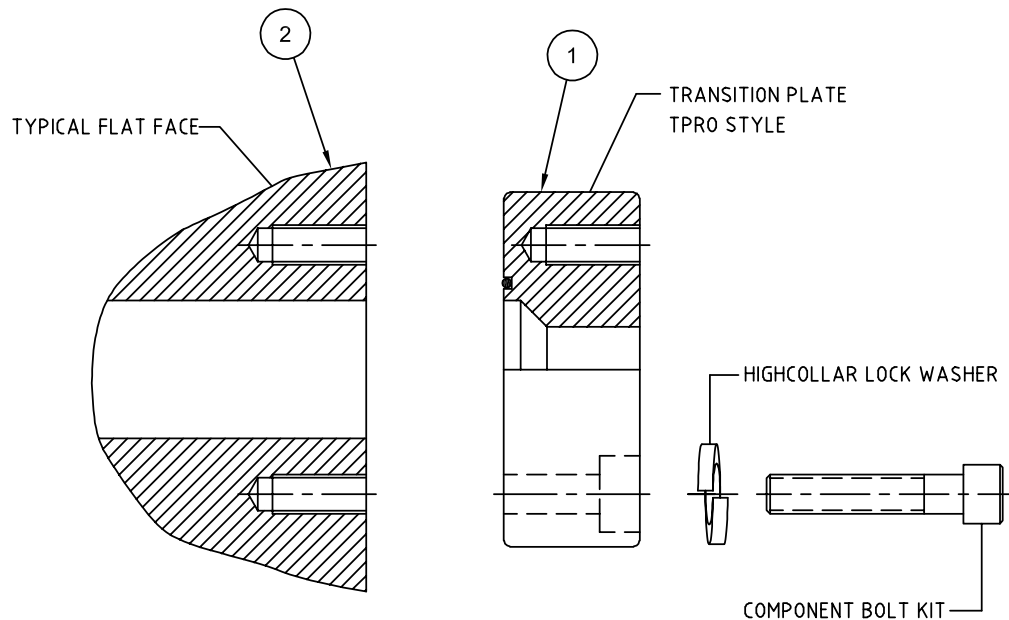
## ISO 6164/SAE Code 62 - 4-Bolt Flange Connection

Size	Bolt Kit Part No.	Bolt Torque ft.lbs.
2 1/2"x1 1/2"	BK-TPRO-COMP-7-64-250x150-SC-HLW	120-130
3"x2"	BK-TPRO-COMP-7-64-300x200-SC-HLW	350-400
4"x2"	BK-TPRO-COMP-7-64-400x200-SC-HLW	500-550



# Bolt Kits - Transition Plate Reducer

Manifold Mount Style to Flat Face Component - TMI 8-Bolt, TMI 8-Bolt/ISO 6164



## ISO 6164 - 4-Bolt Flange Connection

Size	Bolt Kit Part No.	Bolt Torque ft.lbs.
6"x5"	BK-TPRO-COMP-48-600x500-SC-HLW	500-550
8"x5"	BK-TPRO-COMP-48-800x500-SC-HLW	1100-1200
8"x6"	BK-TPRO-COMP-48-800x600-SC-HLW	1100-1200

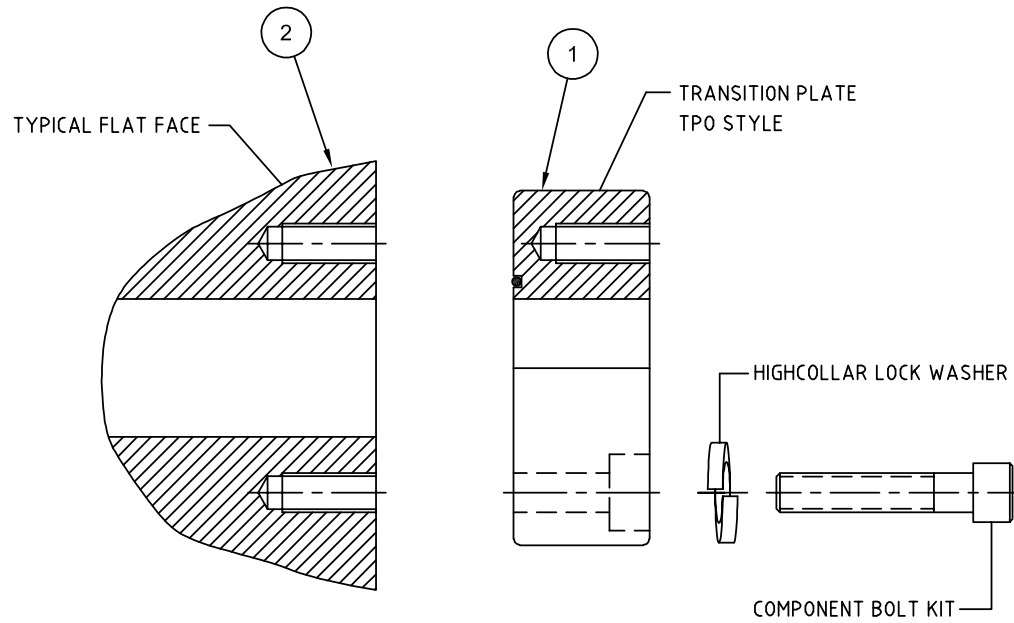
## TMI® 8-Bolt/ISO 6164 - 8-Bolt/4-Bolt Flange Connection

Size	Bolt Kit Part No.	Bolt Torque ft.lbs.
5"x4"	BK-TPRO-COMP-4-74-500x400-SC-HLW	350-400



# Bolt Kits - Transition Plate

Manifold Mount Style to Flat Face Component

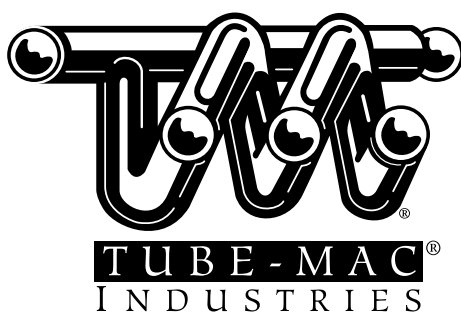


## SAE Code 62/Code 61 - 4-Bolt Flange Connection

Size	Bolt Kit Part No.	Bolt Torque ft.lbs.
1/2"	BK-TPO-COMP-6-34-050-SC-HLW	16-18
3/4"	BK-TPO-COMP-6-34-075-SC-HLW	25-30
1"	BK-TPO-COMP-6-34-100-SC-HLW	45-50
1 1/4"	BK-TPO-COMP-6-34-125-SC-HLW	85-90
1 1/2"	BK-TPO-COMP-6-34-150-SC-HLW	110-120
2"	BK-TPO-COMP-6-34-200-SC-HLW	120-130

## ISO 6164/SAE Code 61 - 4-Bolt Flange Connection

Size	Bolt Kit Part No.	Bolt Torque ft.lbs.
2 1/2"	BK-TPO-COMP-7-34-250-SC-HLW	120-130
3"	BK-TPO-COMP-7-34-300-SC-HLW	350-400



**TUBE-MAC® INDUSTRIES INC.**

P.O. Box 2437  
Butler, Pennsylvania  
U.S.A. 16003  
Tel: (724) 285-9243  
Fax: (724) 285-4300  
E-mail: info@tubemacusa.com

**TUBE-MAC® INDUSTRIES LTD.**

853 Arvin Avenue  
Stoney Creek, Ontario  
Canada L8E 5N8  
Tel. 905-643-8823  
Fax: 905-643-0643  
Email: info@tube-mac.com

**TUBE-MAC® INDUSTRIES (UK) LTD.**

4 Wellington Close  
Wellesbourne, Warwickshire  
CV35 9JQ England  
Tel/Fax: +44 (0) 1789 840880  
Mobile: +44 (0) 7968 192057  
E-mail: jerryh@tube-mac.com

**[www.tube-mac.com](http://www.tube-mac.com)**